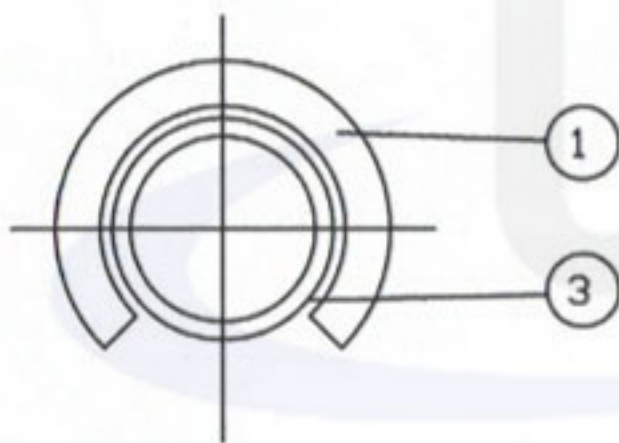
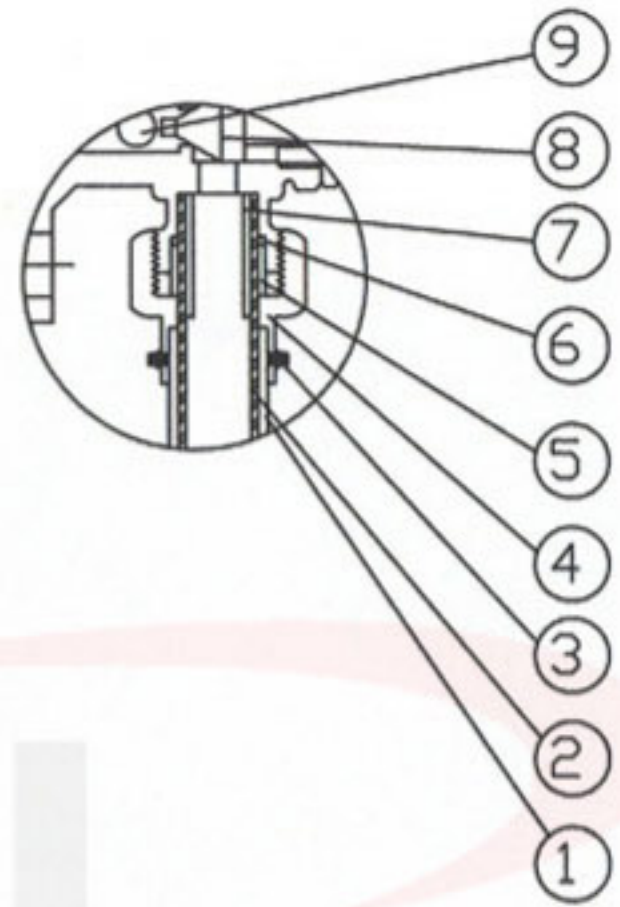
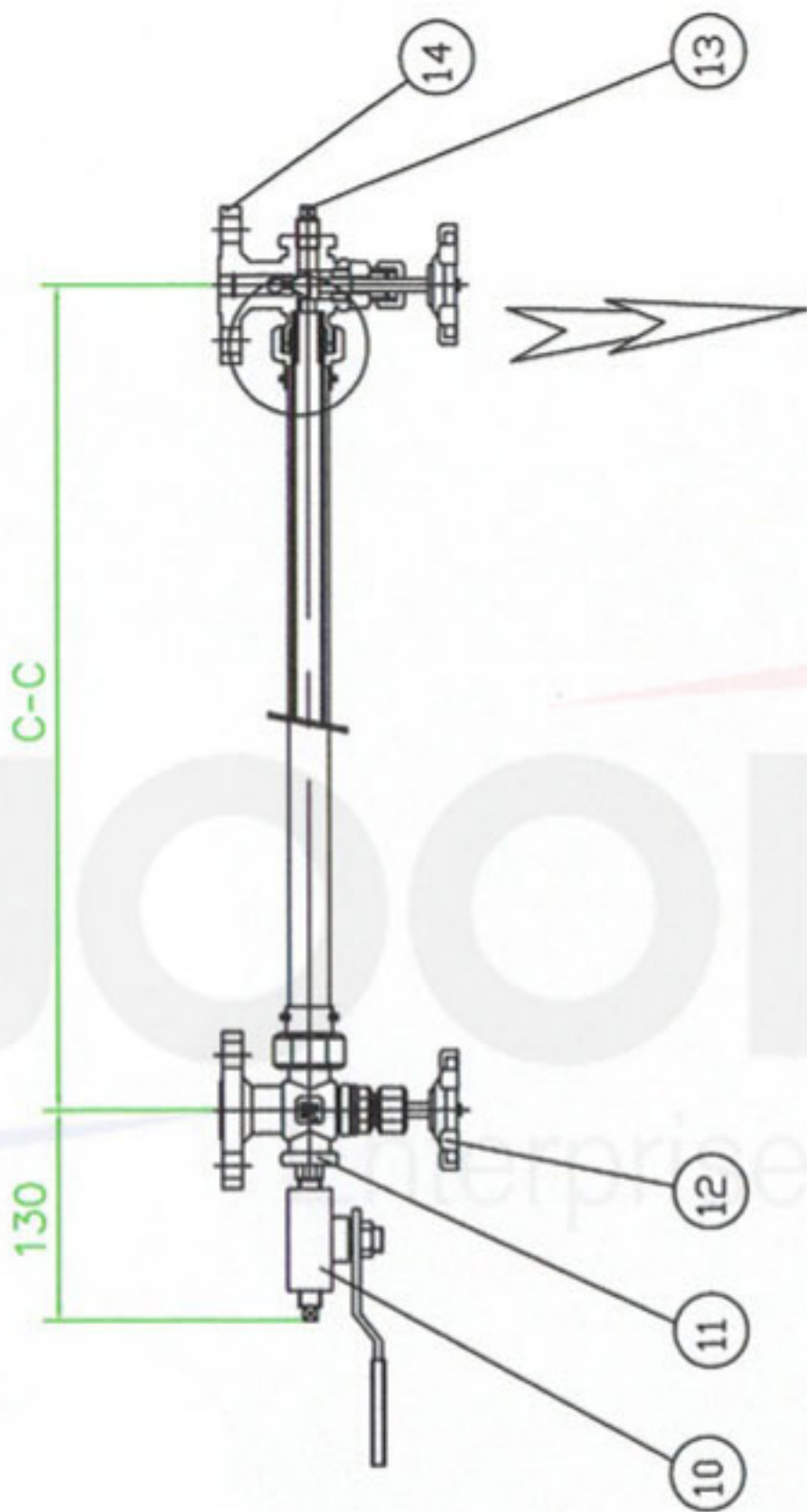


PROTECT WITH SCALE



PROTECTOR WITH TUBE



DIMENSION OF FLANGE

UNIT : mm

| NO. | SIZE | FLANGE RATING | φD | φC | φG | T | F | N-φH |
|-----|------|---------------|-----|------|------|------|-----|------|
| 1 | 1/2' | ANSI 150# RF | 89 | 60.3 | 35.1 | 11.5 | 1.6 | 4-16 |
| 2 | 3/4' | ANSI 150# RF | 98 | 69.0 | 42.9 | 13.0 | 1.6 | 4-16 |
| 3 | 1' | ANSI 150# RF | 108 | 79.4 | 50.8 | 14.5 | 1.6 | 4-16 |
| 4 | 1/2' | ANSI 300# RF | 95 | 66.7 | 35.1 | 14.5 | 1.6 | 4-16 |
| 5 | 3/4' | ANSI 300# RF | 117 | 82.5 | 42.9 | 16.0 | 1.6 | 4-19 |
| 6 | 1' | ANSI 300# RF | 124 | 89.9 | 50.8 | 17.5 | 1.6 | 4-19 |
| 7 | | | | | | | | |

| 15 | | | | |
|-----|----------------|-----------|------|---------------|
| 14 | CON'N FLANGE | 304SS | 2 | |
| 13 | VENT PLUG | 304SS | 2 | 1/2' PT |
| 12 | VALVE HANDLE | FCD | 2 | |
| 11 | GAUGE COCKS | 304SS | 2 | |
| 10 | DRAIN VALVE | 304SS | 1 | 1/2' PT(BALL) |
| 09 | CHECK BALL | 316SS | 2 | |
| 08 | VALVE SPINDLE | 304SS | 2 | |
| 07 | INNER TUBE | 304SS | 2 | |
| 06 | SEALING O-RING | VITON | 2 | |
| 05 | GLAND | 304SS | 2 | |
| 04 | JOINT UNION | Brc | 2 | |
| 03 | FIX BOLT & NUT | 304SS | 6 | M5 |
| 02 | TUBE | PFA | Nm | Dia.18 TEFLON |
| 01 | PROTECTOR | ALUMINIUM | Nm | |
| NO. | DESCRIPTION | MATERIAL | Q'TY | REMARKS |

| | | | | | |
|-------------|-------------|------------------------|-------|--------|--------------|
| DESIGNED By | APPROVED By | SAVE No | SCALE | TITLE | LEVEL GAUGE |
| | | TB-F | N/A | | |
| | | DATE : JUNE.30,2005 | | | |
| REV. No | UNIT | WOOIL Enterprises, Ltd | | DWG.No | TUBULAR TYPE |
| 0 | mm | | | | |