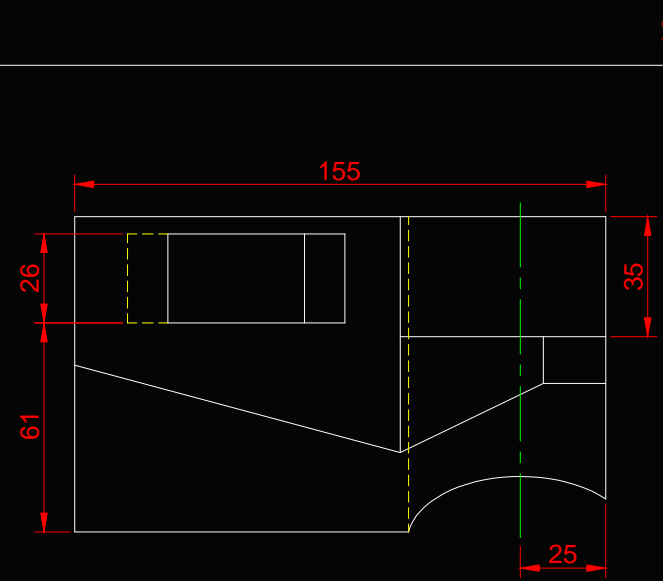
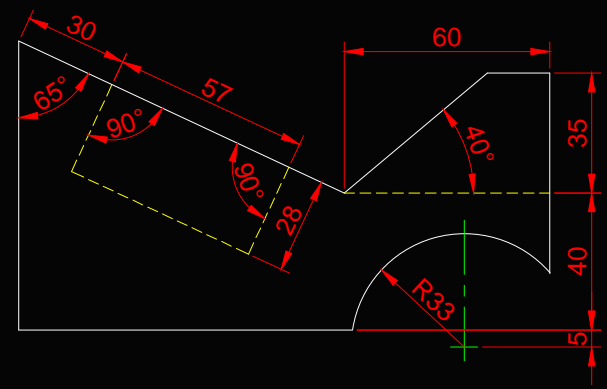


2013. 6. 25

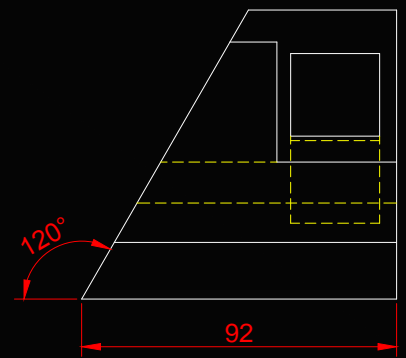
297,210



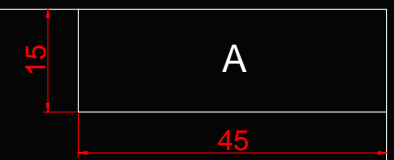
TOP
SCALE 1/2



FRONT
SCALE 1/2



RIGHT
SCALE 1/2



0,0

10

10