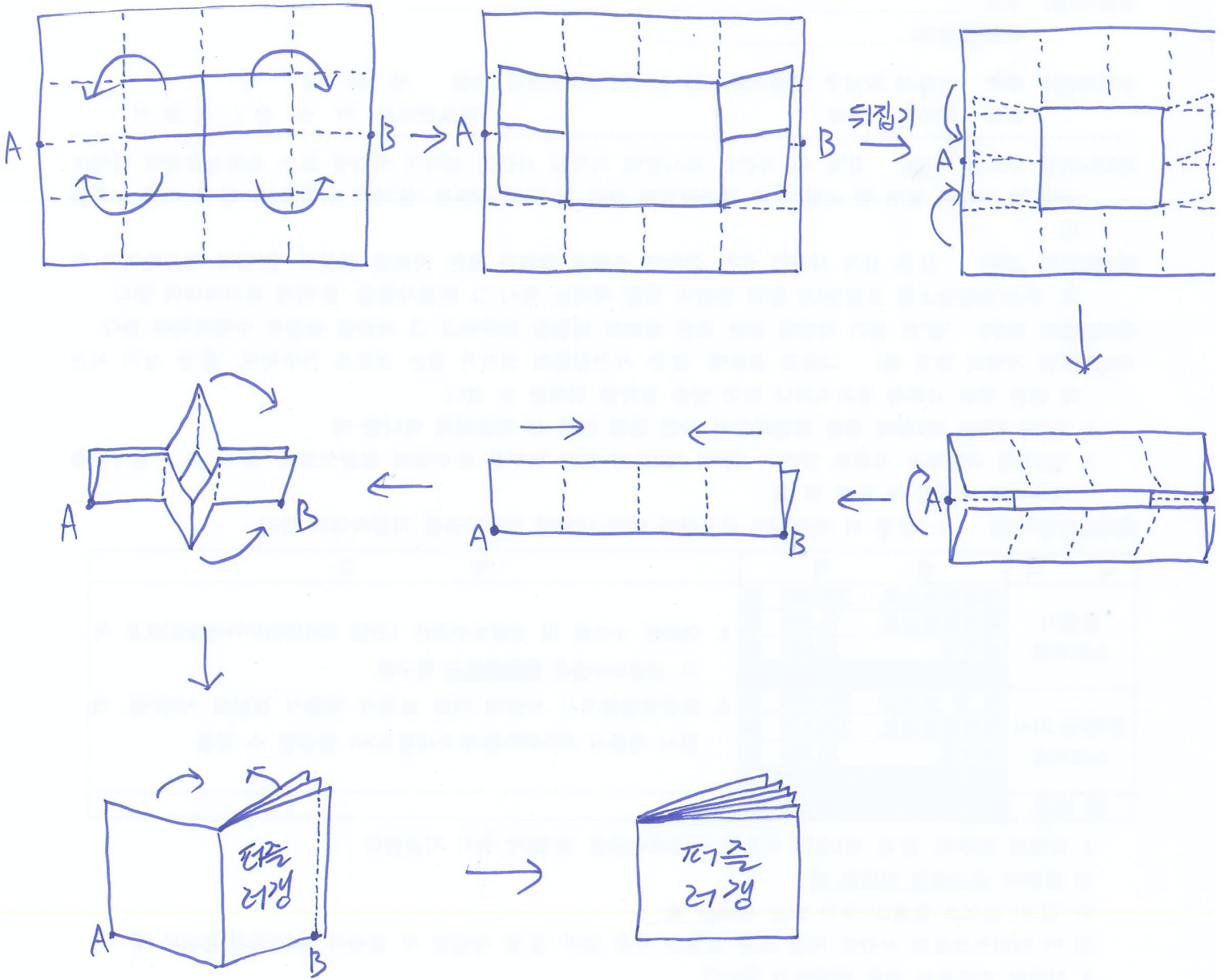


16쪽 책 만들기



designed by PuzlerGang<sup>™</sup>