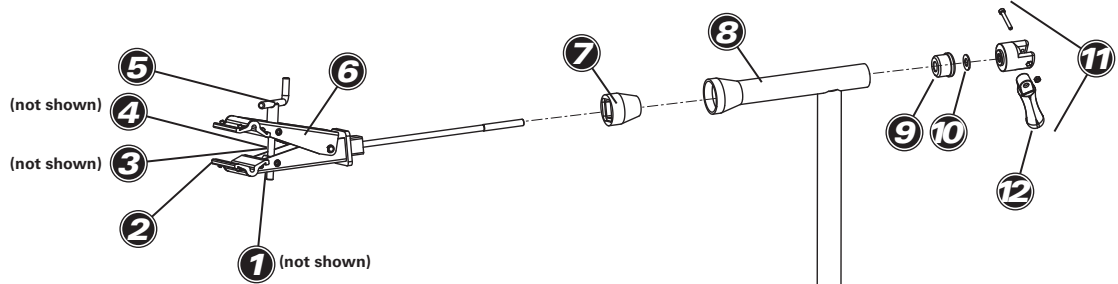




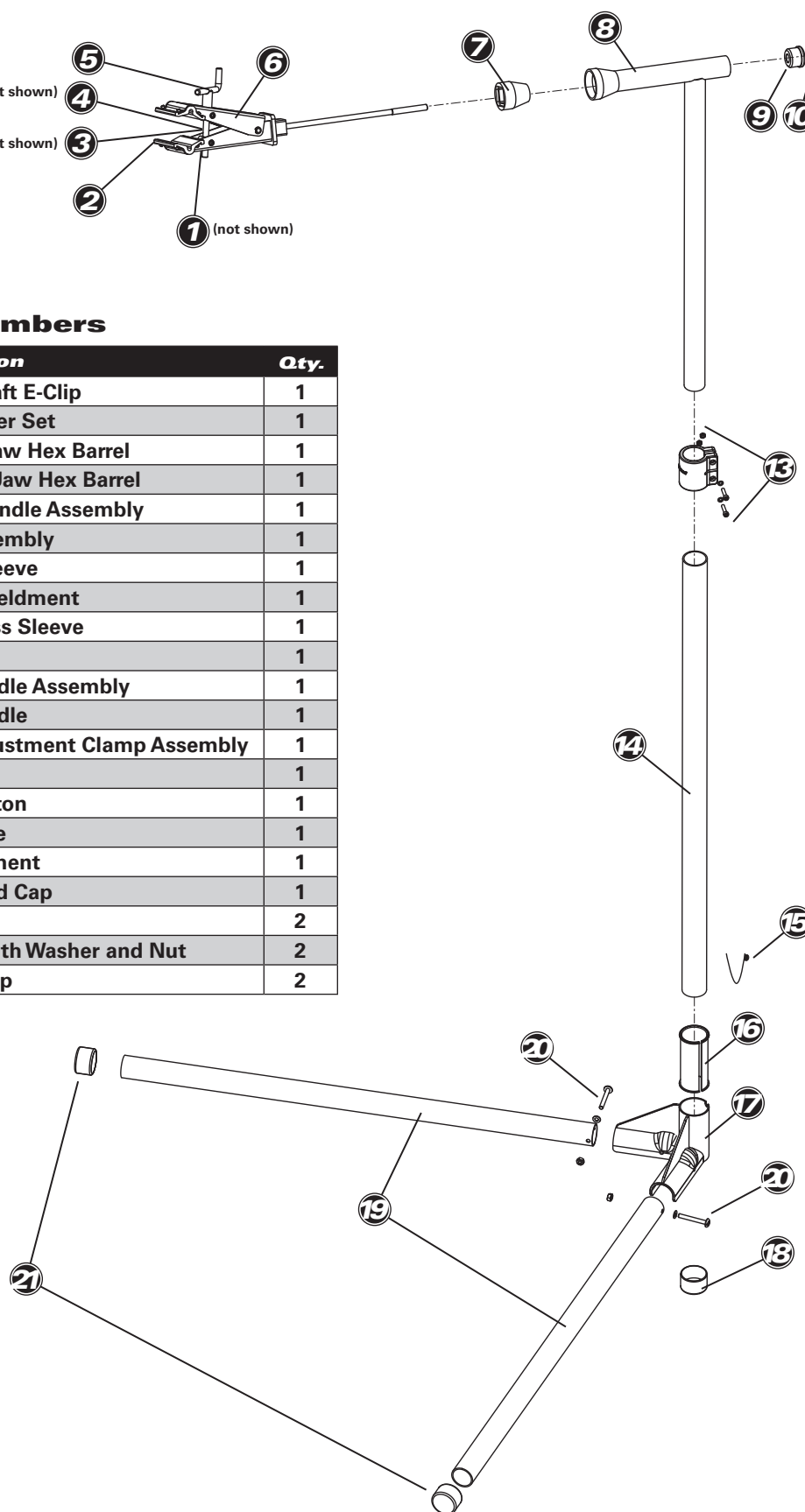
# PCS-9 Economy Home Repair Stand

Park Tool Co. www.parktool.com

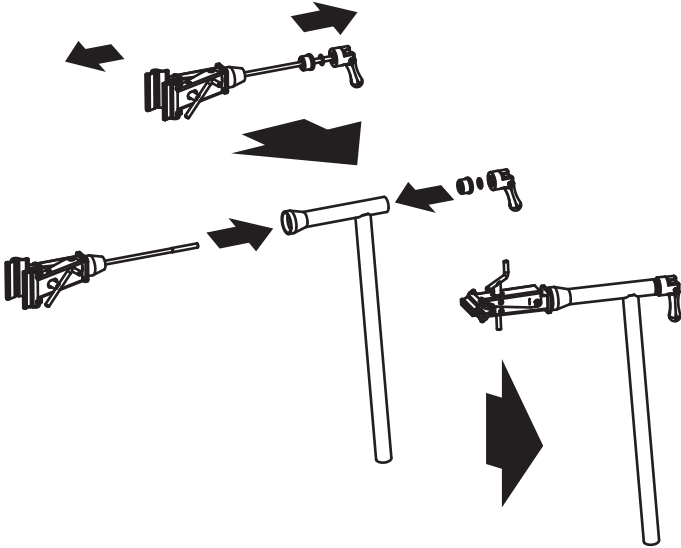


## PCS-9 part numbers

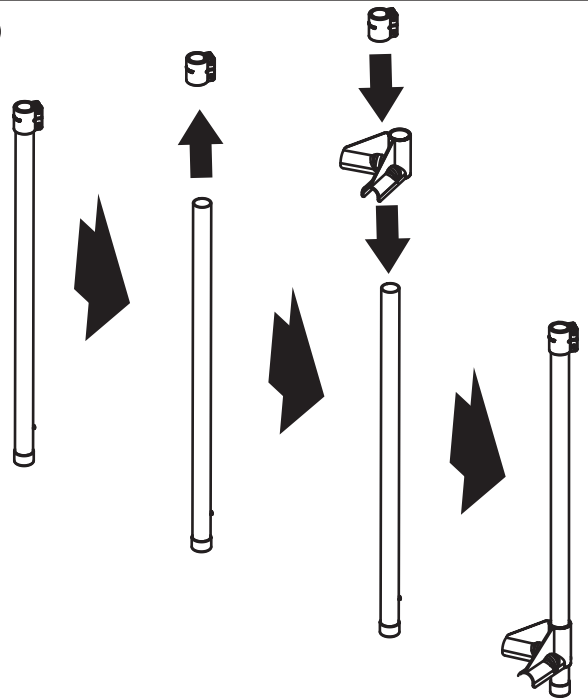
Part No.	Description	Qty.
① 1697	Handle Shaft E-Clip	1
② 1185K	Clamp Cover Set	1
③ 1803	Rotating Jaw Hex Barrel	1
④ 1804	Moveable Jaw Hex Barrel	1
⑤ 1674	Clamp T-Handle Assembly	1
⑥ 1675	Clamp Assembly	1
⑦ 1676	Tapered Sleeve	1
⑧ 1677W	Top Tube Weldment	1
⑨ 1678	Handle Boss Sleeve	1
⑩ 1679	Washer	1
⑪ 1680-2	Swing Handle Assembly	1
⑫ 1681	Swing Handle	1
⑬ 1686	Height Adjustment Clamp Assembly	1
⑭ 1682	Upright	1
⑮ 1685	Spring Button	1
⑯ 1683	Yoke Sleeve	1
⑰ 1684	Yoke Weldment	1
⑱ 1691	Upright End Cap	1
⑲ 1692-2W	Leg Tube	2
⑳ 1782-2	Leg Bolt with Washer and Nut	2
㉑ 1696-2	Leg End Cap	2



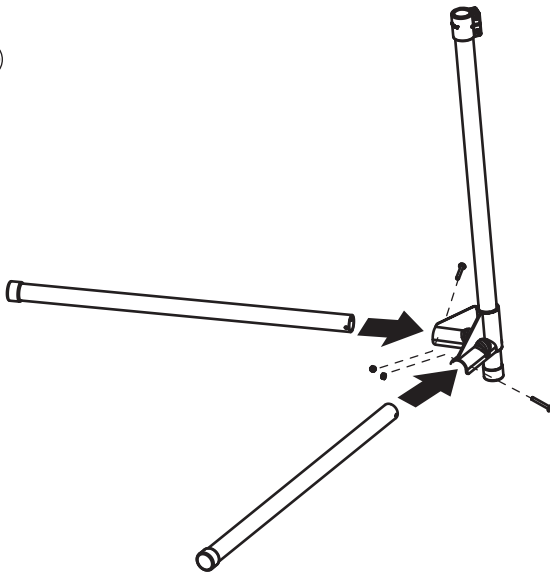
1



2



3



4

