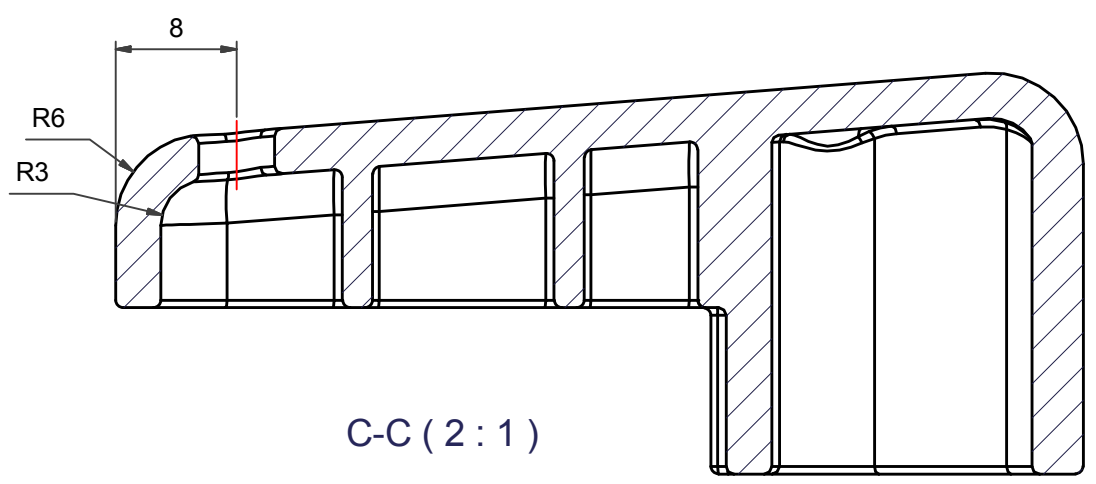
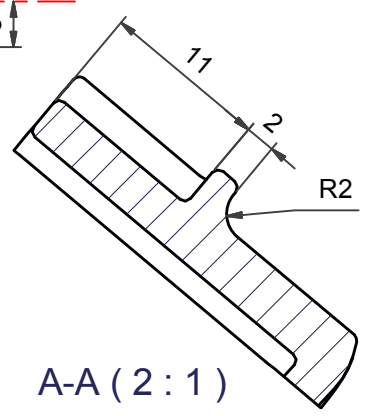
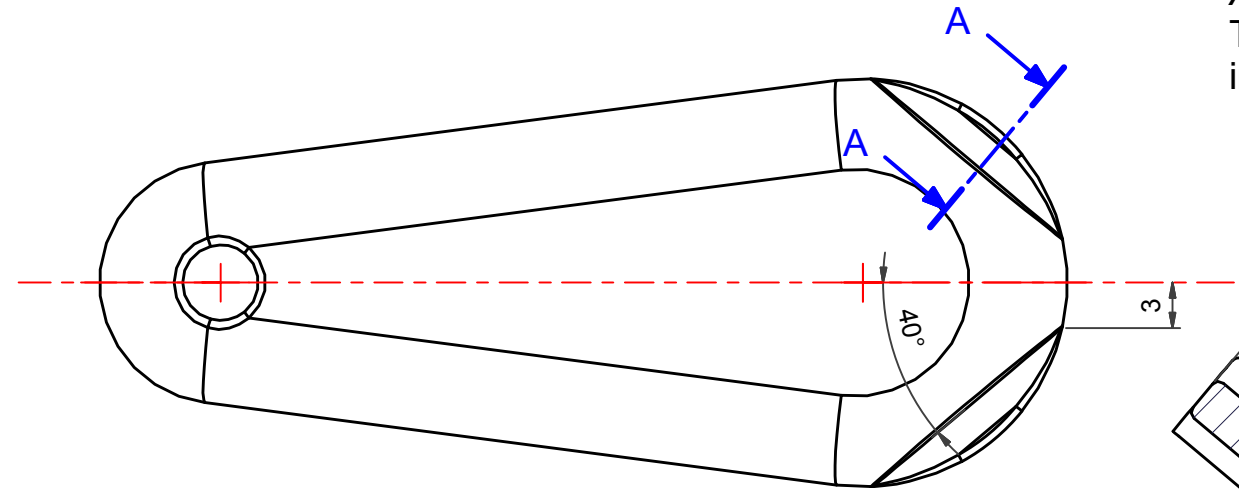
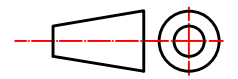



Alle Aussen- und Innenkanten R0,5
 All exterior and interior edges R0,5
 Todas as bordas exteriores e interiores R0,5



© by IVNGWC.org | commercial use including excerpts is not allowed! | Use for education purposes only under mentioning of the source!

Alle Längenmaße in "mm", Projektion 1-E, metrische Vorlage benutzen!
 All linear dimensions are "mm", projection 1-E, use metric Template!
 Nota: Dimensões em "mm", projeção 1-A, usar metric Template!



 IVNGWC.org www.ivngwc.org ivngwc@ivngwc.org	Juli/July/Julho Öldeckelschlüssel <i>oil cap opener</i> abridor de tampa de óleo	Modell/model/Modelo: B.Fetzer
	Volumen/volume/Volume: 12005,146715 mm³	Zeichnung/drawing/Desenho: B.Fetzer
Zeichnungs-Nr./drawing no/Nº Desenho: IVNGWC-2010-07idw	Blatt /sheet/Folha: 1 / 1	Maßstab/scale/Escala: 2:1
	Format/size/Formato: A3	CAD: Inventor