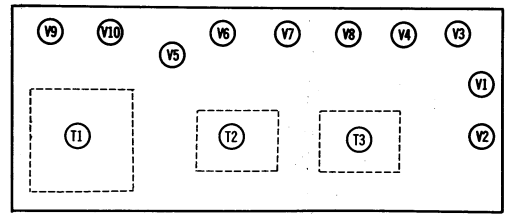
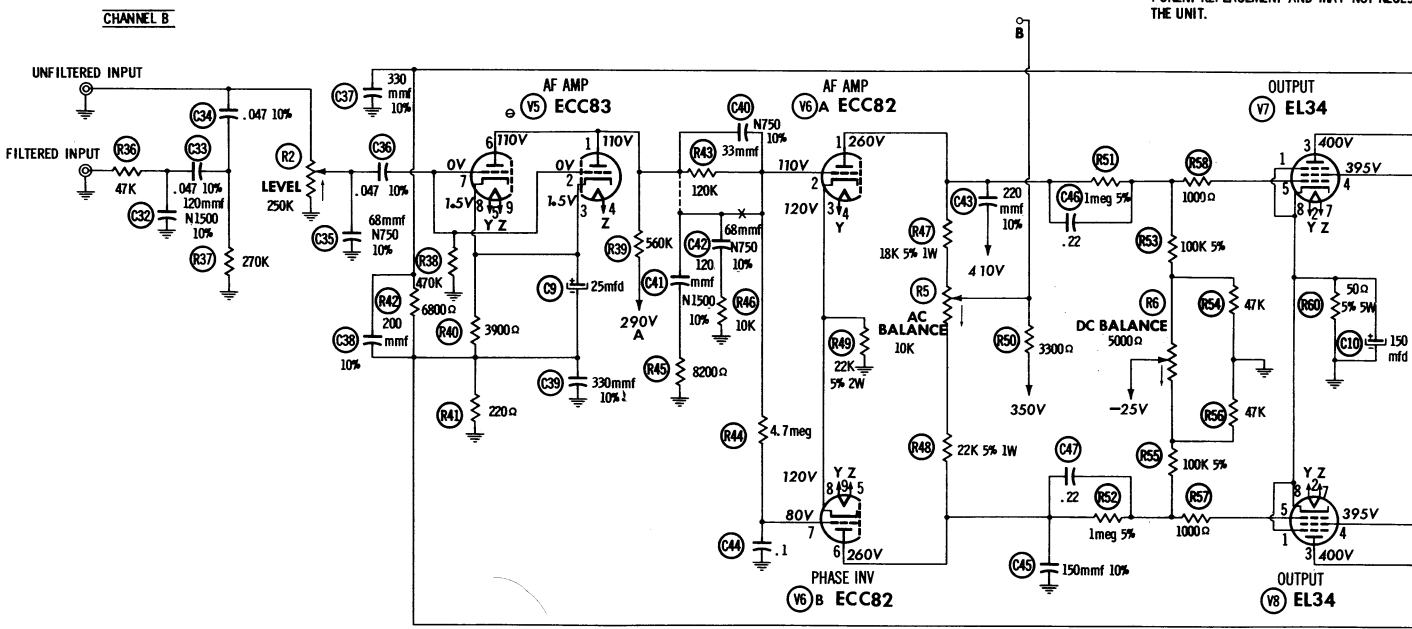
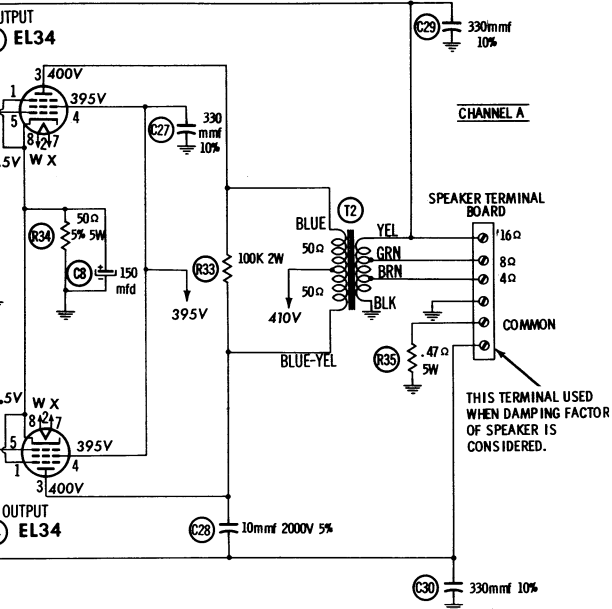


NUMBERS ASSIGNED TO COILS, SWITCHES, & TRANSFORMERS ARE TO FACILITATE CIRCUIT COMPONENT REPLACEMENT AND MAY NOT NECESSITATE THE UNIT.



SEE PARTS LIST FOR ALTERNATE VALUE OR APPLICATION
 DC COIL RESISTANCE VALUES UNDER ONE OHM NOT SHOWN ON SCHEMATIC DIAGRAM
 ARROWS ON CONTROLS INDICATE CLOCKWISE ROTATION (CONTROL VIEWED FROM SHAFT END)



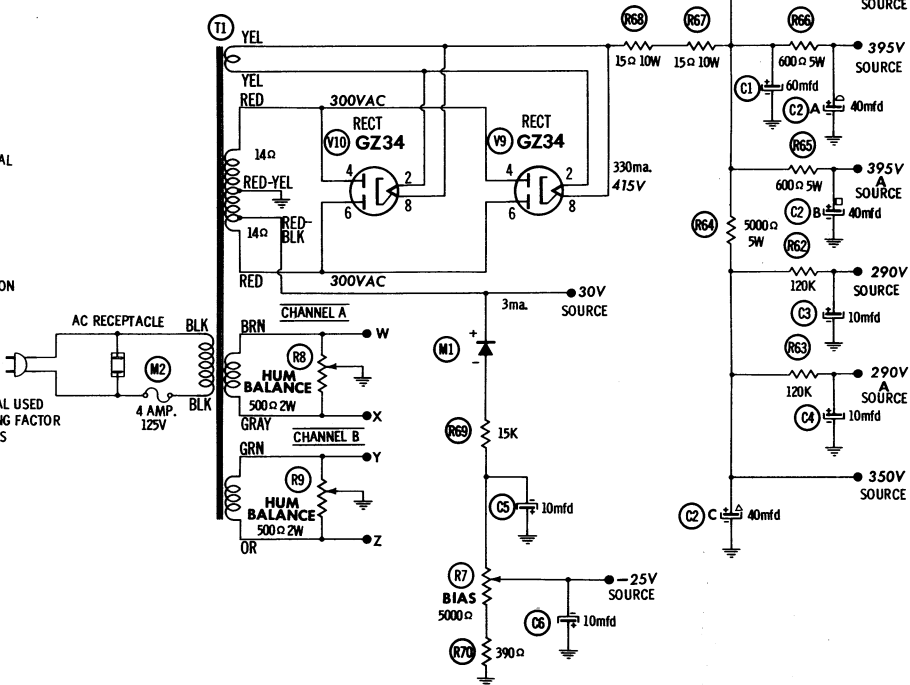
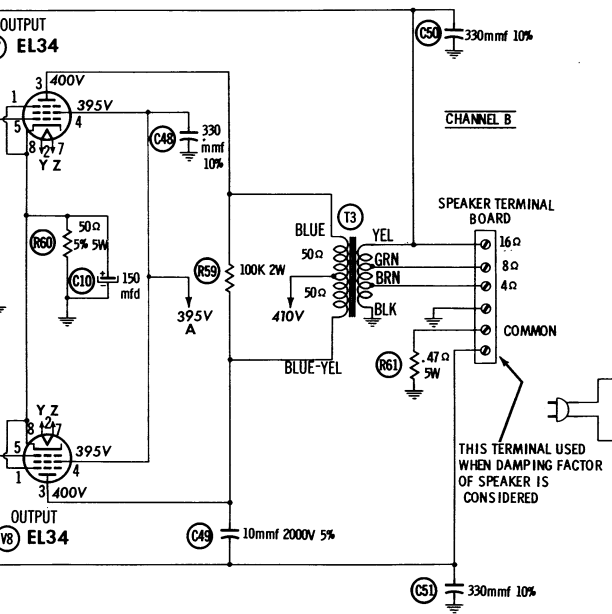
1. DC voltage measurements taken with vacuum tube voltmeter; AC voltages measured at 1000 ohms per volt.
2. Socket connections are shown as bottom views.
3. Measured values are from socket pin to common negative.
4. Line voltage maintained at 117 volts for voltage readings.
5. Nominal tolerance of component values makes possible a variation of $\pm 15\%$ in voltage and resistance readings.
6. All controls at minimum, proper output load connected.

RESISTANCE READINGS

ITEM	TUBE	Pin 1	Pin 2	Pin 3	Pin 4	Pin 5	Pin 6	Pin 7	Pin 8	Pin 9
V1	ECC83	†685K	470K	4100 Ω	125 Ω	125 Ω	†685K	470K	4100 Ω	125 Ω
V2	ECC82	†33K	†800K	22K	125 Ω	125 Ω	†35K	†5.4meg	22K	125 Ω
V3	EL34	50 Ω	125 Ω	†80 Ω	†630 Ω	135K	NC	125 Ω	50 Ω	
V4	EL34	50 Ω	125 Ω	†80 Ω	†630 Ω	135K	NC	125 Ω	50 Ω	
V5	ECC83	†680K	470K	4100 Ω	125 Ω	125 Ω	†680K	470K	4100 Ω	125 Ω
V6	ECC82	†33K	†800K	22K	125 Ω	125 Ω	†35K	†5.4meg	22K	125 Ω
V7	EL34	50 Ω	125 Ω	†80 Ω	†630 Ω	135K	NC	125 Ω	50 Ω	
V8	EL34	50 Ω	125 Ω	†80 Ω	†630 Ω	135K	NC	125 Ω	50 Ω	
V9	GZ34	NC	†	NC	14 Ω	NC	14 Ω	NC	†	
V10	GZ34	NC	†	NC	14 Ω	NC	14 Ω	NC	†	

† THIS READING WILL VARY DEPENDING UPON THE CONDITION OF THE ELECTROLYTIC IN THE CIRCUIT.
 † MEASURED FROM PIN 8 OF V10.
 NC NO CONNECTION

TO COILS, SWITCHES, PLUGS, SOCKETS, AND
 E TO FACILITATE CIRCUIT TRACING OR COM-
 ENT AND MAY NOT NECESSARILY BE FOUND ON



FISHER MODEL
SA-300