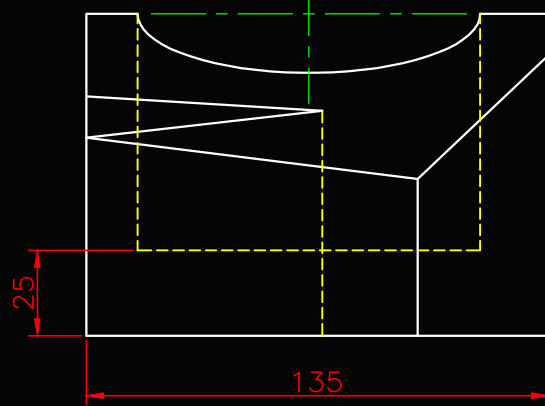
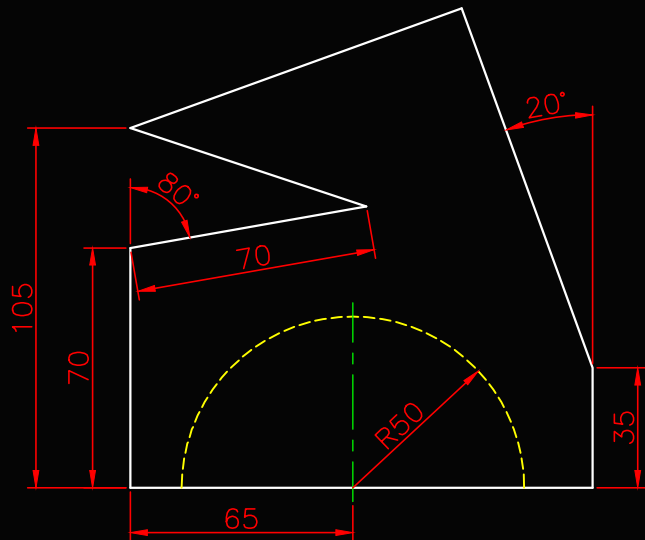


2013. 7. 12

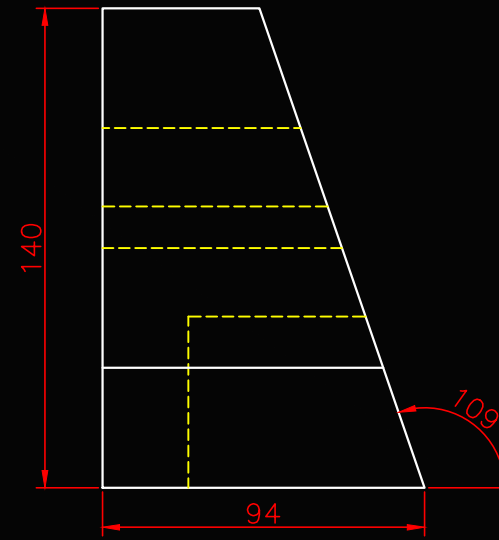
297,210



TOP  
SCALE 1/2



FRONT  
SCALE 1/2



RIGHT  
SCALE 1/2

