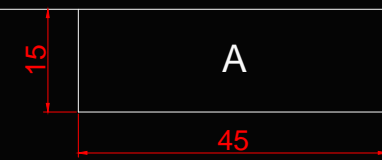
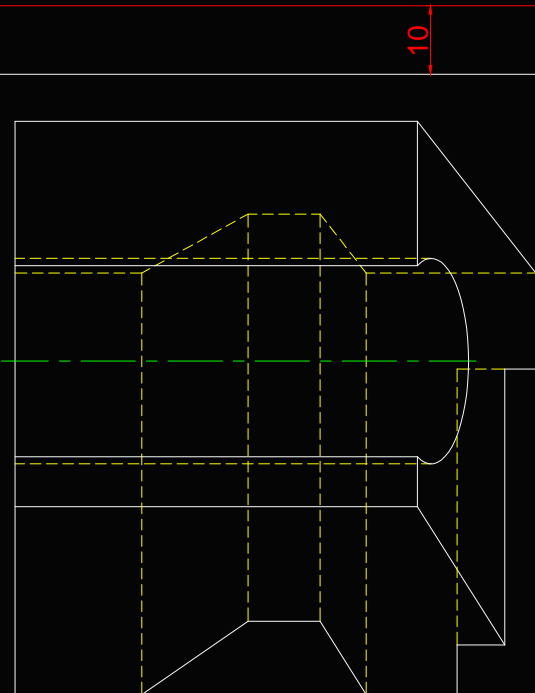
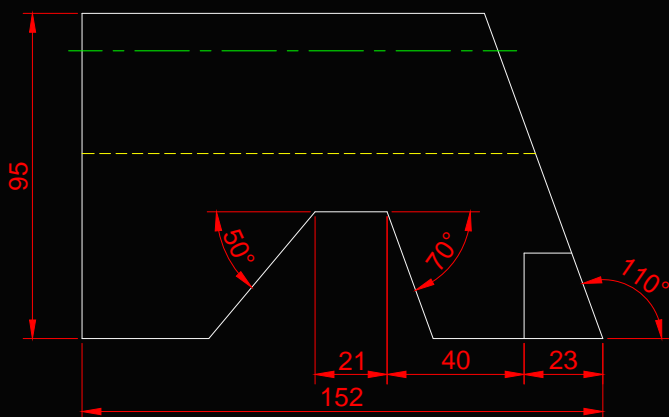


2013. 6. 3 - 2

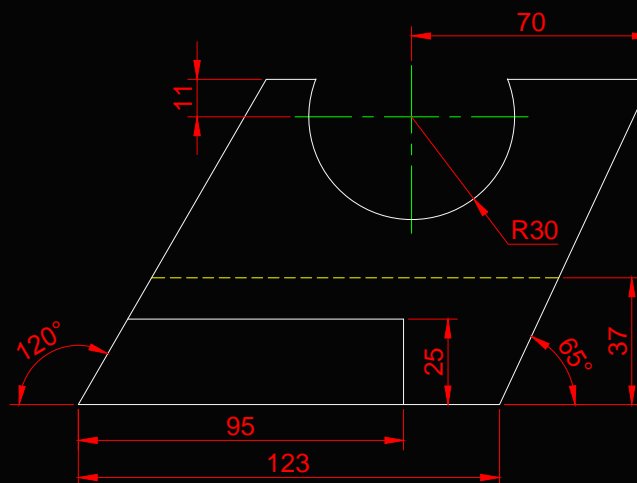
297,210



TOP
SCALE 1/2



FRONT
SCALE 1/2



RIGHT
SCALE 1/2

0,0

10