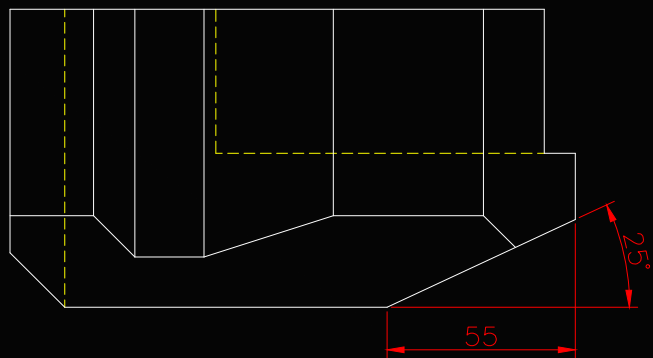


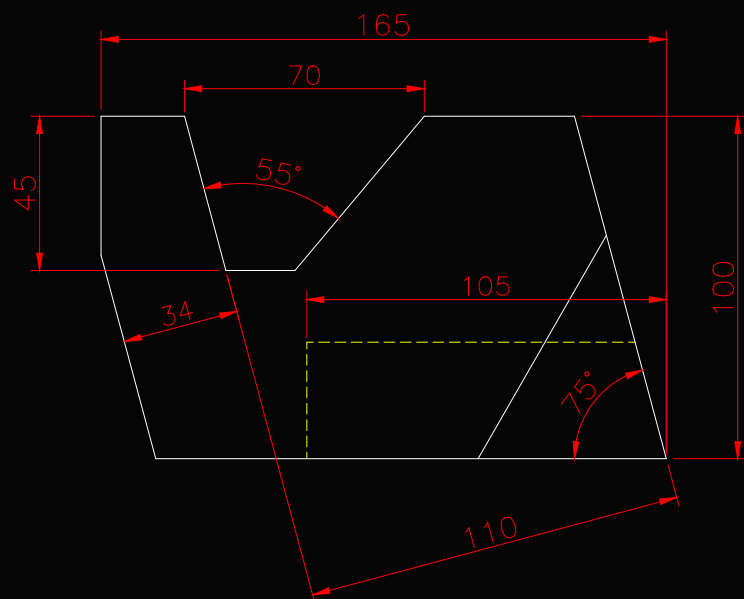
2013. 6. 11

297,210



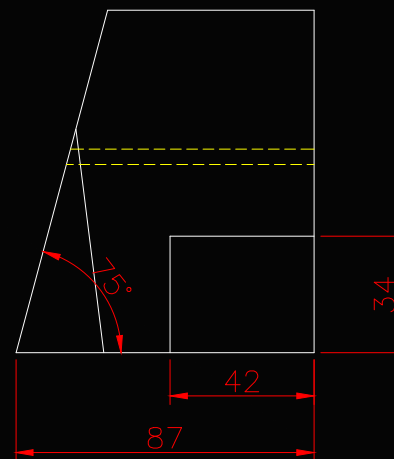
TOP

SCALE 1/2



FRONT

SCALE 1/2



RIGHT

SCALE 1/2

0,0

10

10

15

45

55

25°

165

70

55°

34

105

75°

110

100

87

42

34

A