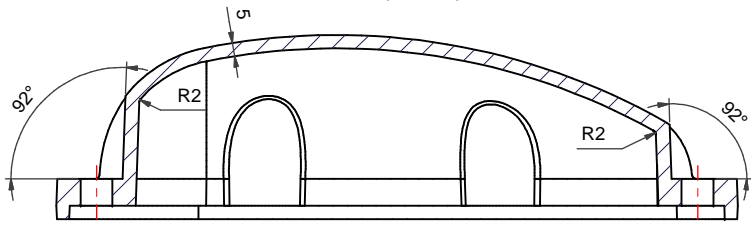
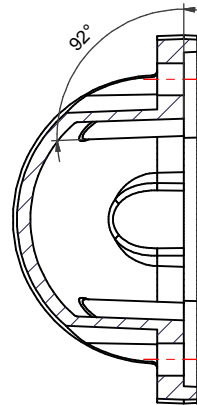


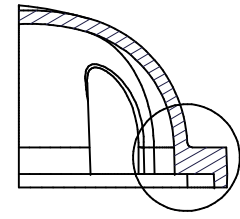
A-A (1:2)



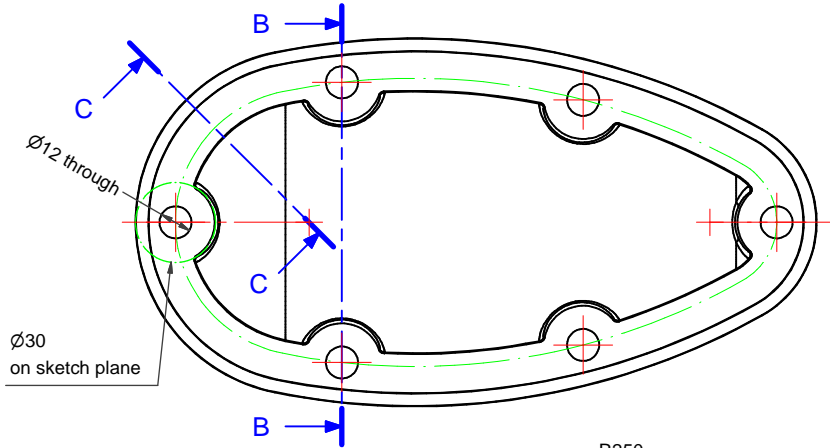
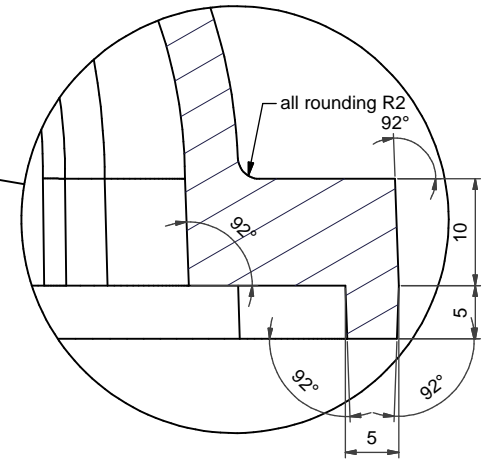
B-B (1:2)



C-C (1:2)

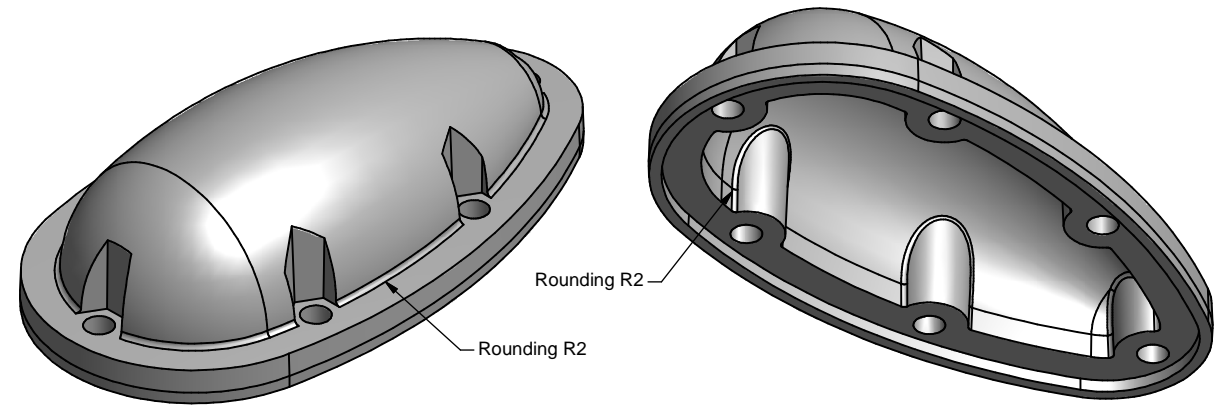
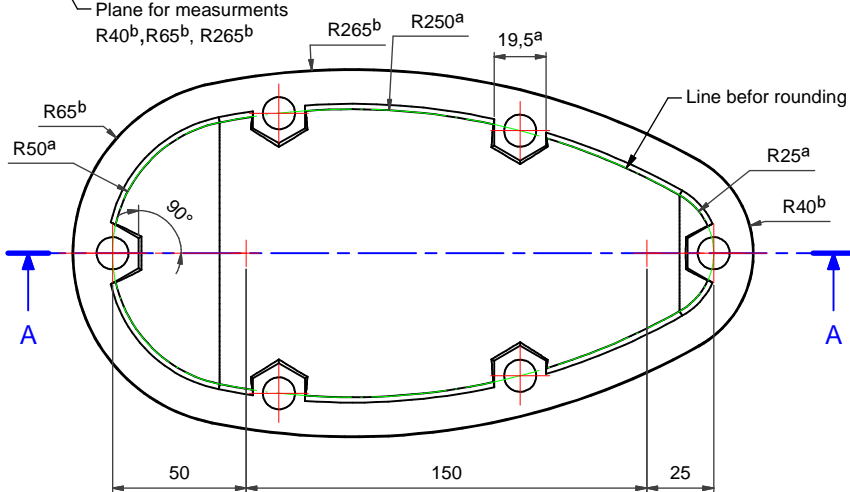
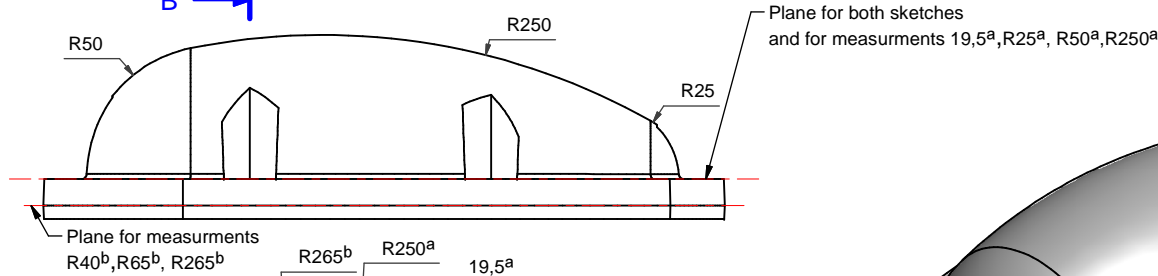


D (2:1)



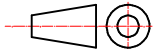
Ø30 on sketch plane


note: max. two sketches are allowed!



© by IVNGWC.org | commercial use including excerpts is not allowed! | Use for education purposes only under mentioning of the source!

Alle Längenmaße in "mm", Projektion 1-E, metrische Vorlage benutzen!
 All linear dimensions are "mm", projection 1-E, use metric Template!
 Nota: Dimensões em "mm", projeção 1-E, usar metric Template!



 www.ivngwc.org ivngwc@ivngwc.org	Februar/February/Fevereiro Deckel cap Capa	Modell/model/Modelo: B.Fetzer
	Volumen/volume/Volume: -	Zeichnung/drawing/Desenho: B.Fetzer
Zeichnungs-Nr./drawing no/Nº Desenho: IVNGWC-2011-02	Blatt /sheet/Folha: 1 / 1	Maßstab/scale/Escala: 1:2 (2:1)
	Format/size/Formato: A3	CAD: Inventor