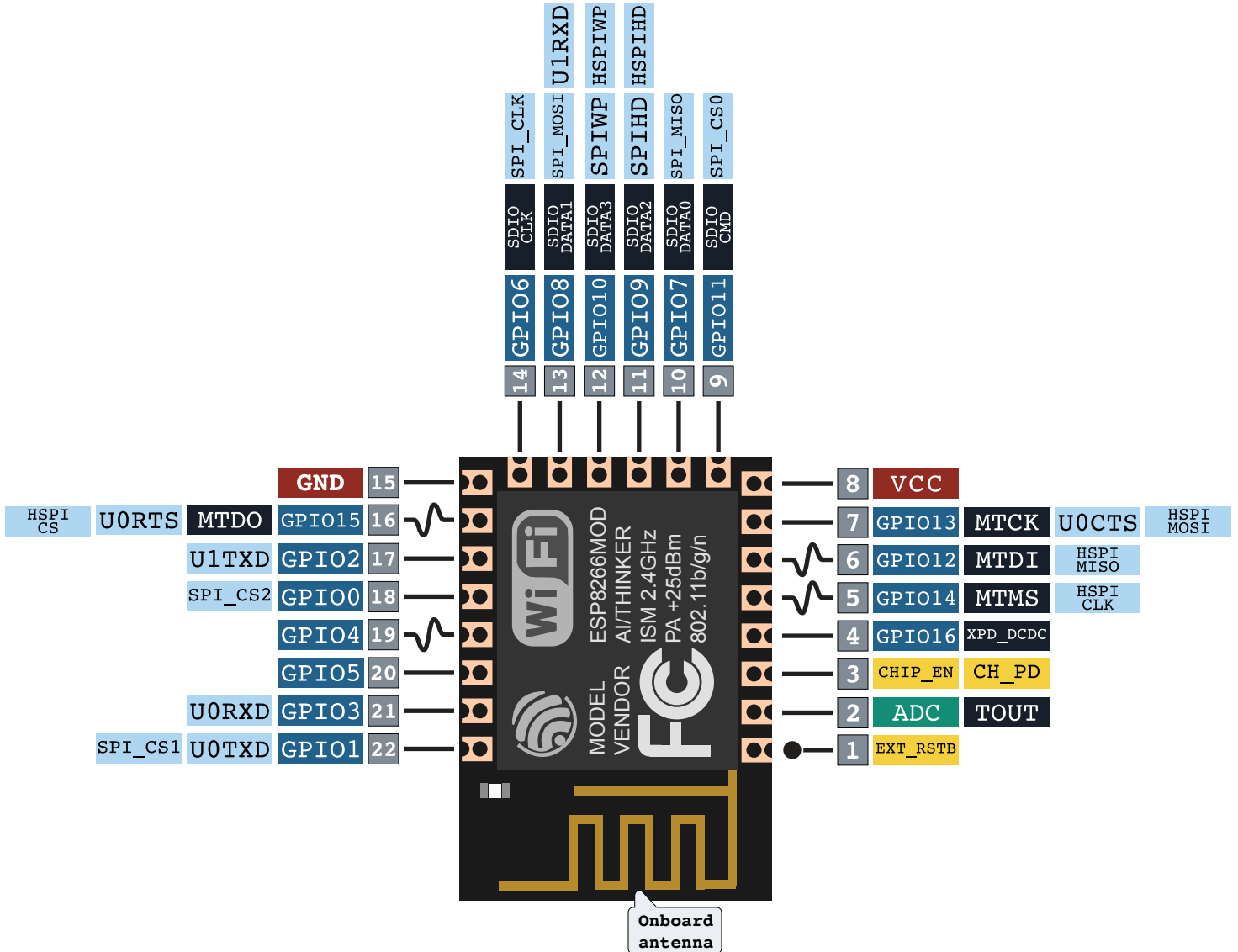


# ESP-12E

## PINOUT

### NOTES:

- ▲ Typ. pin current 6mA (Max. 12mA)
- ▲ For sleep mode, connect GPIO16 and EXT\_RSTB. On wakeup, GPIO16 will output LOW for system reset.
- ▲ On boot/reset/wakeup, keep GPIO15 LOW and GPIO2 HIGH.



<span style="display:inline-block; width:15px; height:15px; background-color: #8B0000; border: 1px solid black;"></span> POWER	<span style="display:inline-block; width:15px; height:15px; background-color: #000000; border: 1px solid black;"></span> SP. FUNCTION(S)
<span style="display:inline-block; width:15px; height:15px; background-color: #0056B3; border: 1px solid black;"></span> I/O	<span style="display:inline-block; width:15px; height:15px; background-color: #ADD8E6; border: 1px solid black;"></span> COMM. INTERFACE
<span style="display:inline-block; width:15px; height:15px; background-color: #008000; border: 1px solid black;"></span> ADC	<span style="display:inline-block; width:15px; height:15px; background-color: #A9A9A9; border: 1px solid black;"></span> PIN NUMBER
<span style="display:inline-block; width:15px; height:15px; background-color: #FFD700; border: 1px solid black;"></span> CONTROL	PWM
<span style="display:inline-block; width:15px; height:15px; background-color: #FFFFFF; border: 1px solid black;"></span> N/C	

# ESP-12E

## REFERENCE

Module Pin	IC Pin	Name	Useful notes (cf. datasheet for details)
1	32	EXT_RSTB	Active low external reset signal
2	6	TOUT	ADC pin; can be used to monitor VDD3P3
3	7	CHIP_EN	Active high enable pin (Low: small current)
4	8	XPD_DCDC	Deep-Sleep Wakeup
5	9	MTMS	IR Remote Tx
6	10	MTDI	–
7	12	MTCK	–
8	3,4	VDD3P3	–
9	20	SDIO_CMD	Connect to SD_CMD (Series R: 200Ω)
10	22	SDIO_DATA_0	Connect to SD_D0 (Series R: 200Ω)
11	18	SDIO_DATA_2	Connect to SD_D2 (Series R: 200Ω)
12	19	SDIO_DATA_3	Connect to SD_D3 (Series R: 200Ω)
13	23	SDIO_DATA_1	Connect to SD_D1 (Series R: 200Ω)
14	21	SDIO_CLK	Connect to SD_CLK (Series R: 200Ω)
15	PAD	GND	–
16	13	MTDO	–
17	14	GPIO2	UART1 Tx
18	15	GPIO0	–
19	16	GPIO4	–
20	24	GPIO5	IR Remote Rx
21	25	U0RXD	UART0 Rx (flash programming)
22	26	U0TXD	UART0 Tx (flash programming)

Full datasheet: <https://acrobotic.com/datasheets/esp8266>