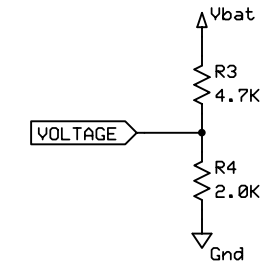
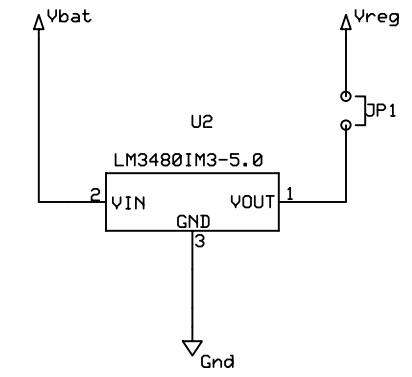


Servo Position Potentiometer



Battery Voltage Measurement



MCU 5v Voltage Regulator

NOTE: J1 must be disconnected for serial programming MCU to prevent to voltage regulator.

OpenServo - [www.openservo.com](http://www.openservo.com)

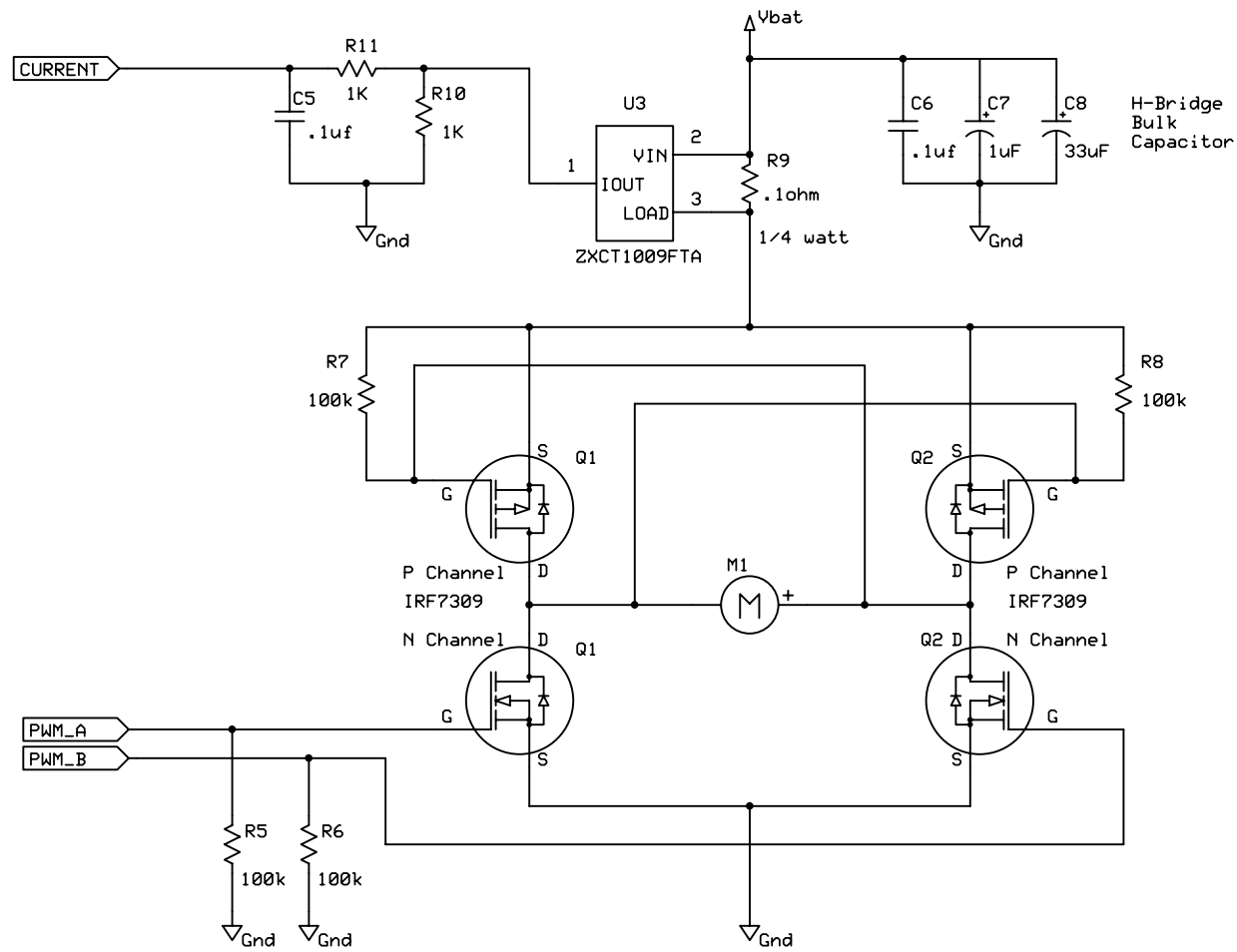
## OpenServo v2

Mike Thompson

Rev 2.1

April 1st, 2006

Page 1 of 2



MOSFET H-Bridge