

1

2

3

4

D

D

C

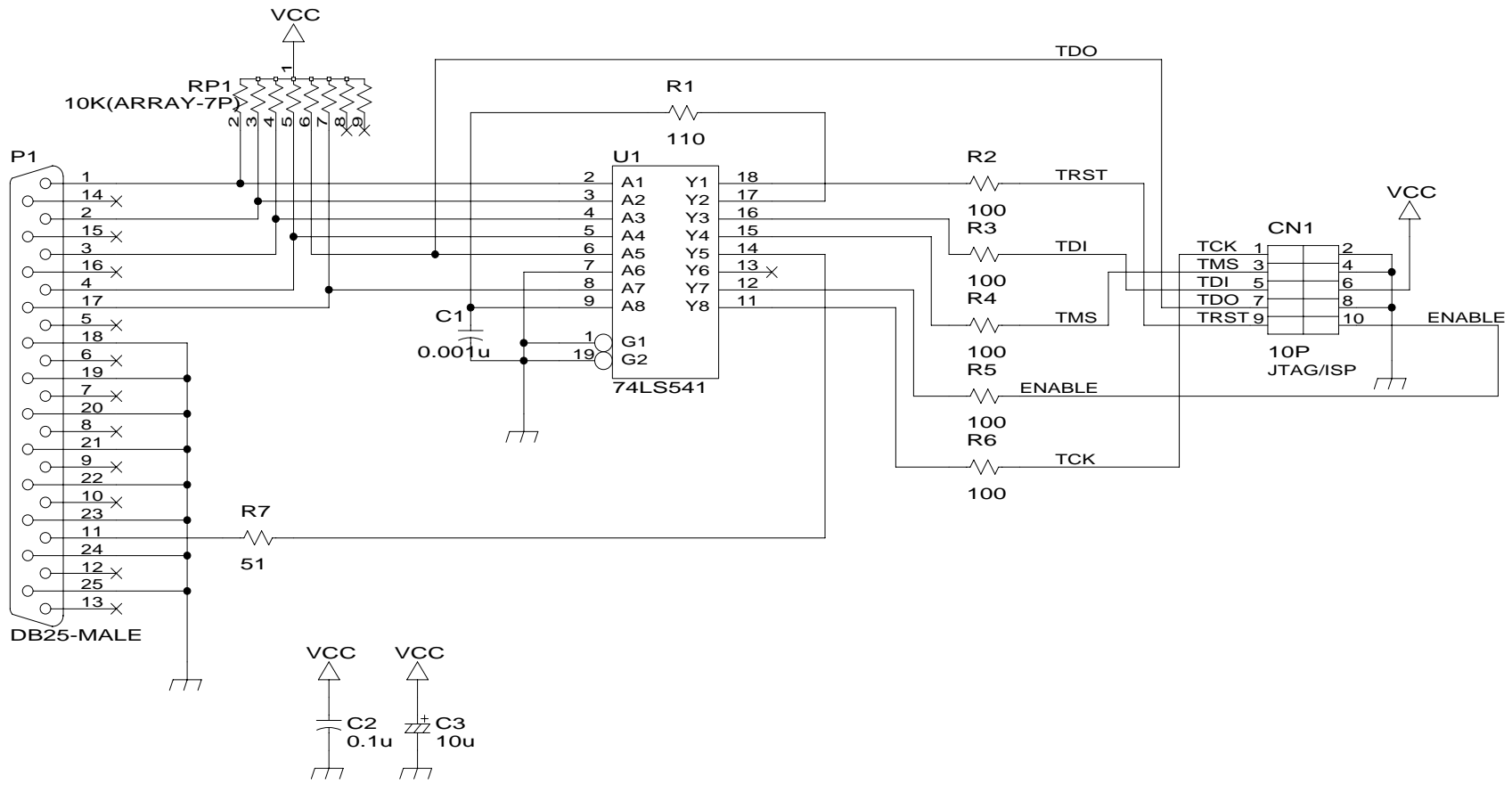
C

B

B

A

A



Title		note1	
title		note2	
		note3	
Size	No.	Rev.	note4
A4	.docno.	.rev.	note5
File	filename	Date	.date. Time .time. .stno. of .sttot.

1

2

3

4