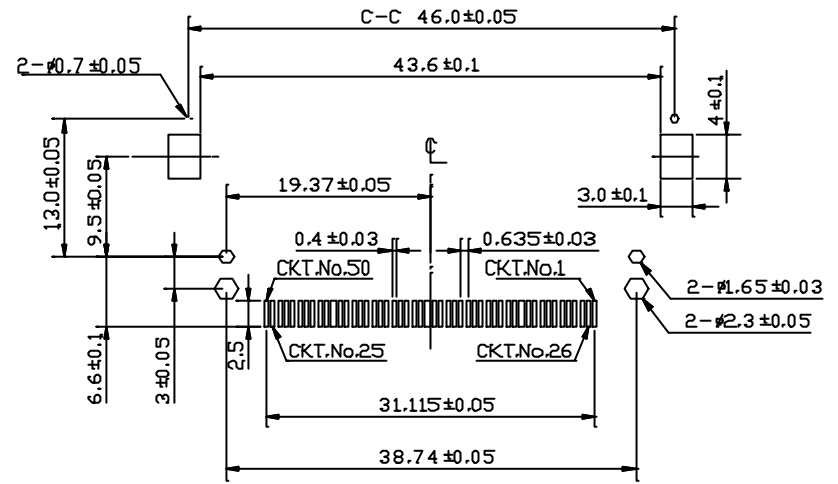
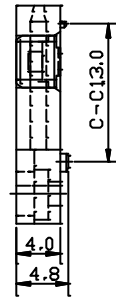
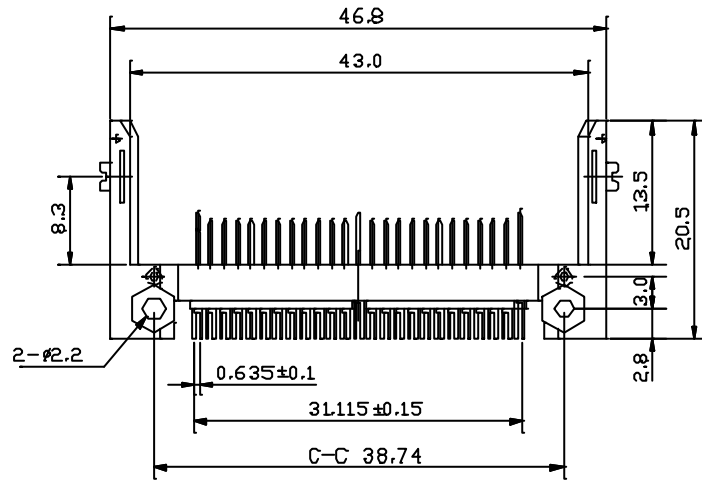


ORDERING INFORMATION

SERIES NO.	TYPE	HEADER TYPE	STAND OFF HEIGHT	CONTACT PLATING	ATTACHMENT
60	1	05	0	2	0
1: MALE HEADER SMT TYPE		01: TYPE I A 02: TYPE I AR 03: TYPE I B 04: TYPE I BR 05: TYPE I C 06: TYPE I CR 07: TYPE I D 08: TYPE I DR 09: TYPE II A 11: TYPE II B	0: STAND OFF=8.0mm	1: GOLD FLASH OVER NICKEL PLATING 2: 5u" GOLD SELECTIVE OVER NICKEL PLATING 3: 10u" GOLD SELECTIVE OVER NICKEL PLATING 4: 15u" GOLD SELECTIVE OVER NICKEL PLATING	0: 0 WITHOUT NUTS 1: 0 WITH NUTS

NOTES:
 MATERIAL
 Insulator: Glass Reinforce LCP UL94V-0
 Contacts: Brass Alloy
 Mount ear: Brass ; Tin plated overall
 CONTACT PLATING
 Contact area: Gold plating over 40u" Nickel
 Solder tail area: 100u" tin plating over 40u" Nickel



RECOMMENDED P.C.B. LAYOUT



REV.	DESCRIPTION (ECON No)	DR.	CHK.	DATE	SCALE:	UNIT:	APPROVED	TITLE
B							ALBERT.LIU 11/30/'01	CF CARD HEADER
A	RELEASE			11/30/'01			ALBERT.LIU 11/30/'01	SMT 50P TYPE I (C)
					N.S.T	mm	YA WEN.WU 11/30/'01	PART. NO. 60105020
							SIZE A4	REV. A
								REVISE ONLY ON CAD SYSTEM

SUNLIT
 PRECISION TECHNOLOGY CO., LTD.