



Date: _____ Driver: _____

Event: _____ Car: _____

Track: _____ Weight: _____

SETUP SHEET



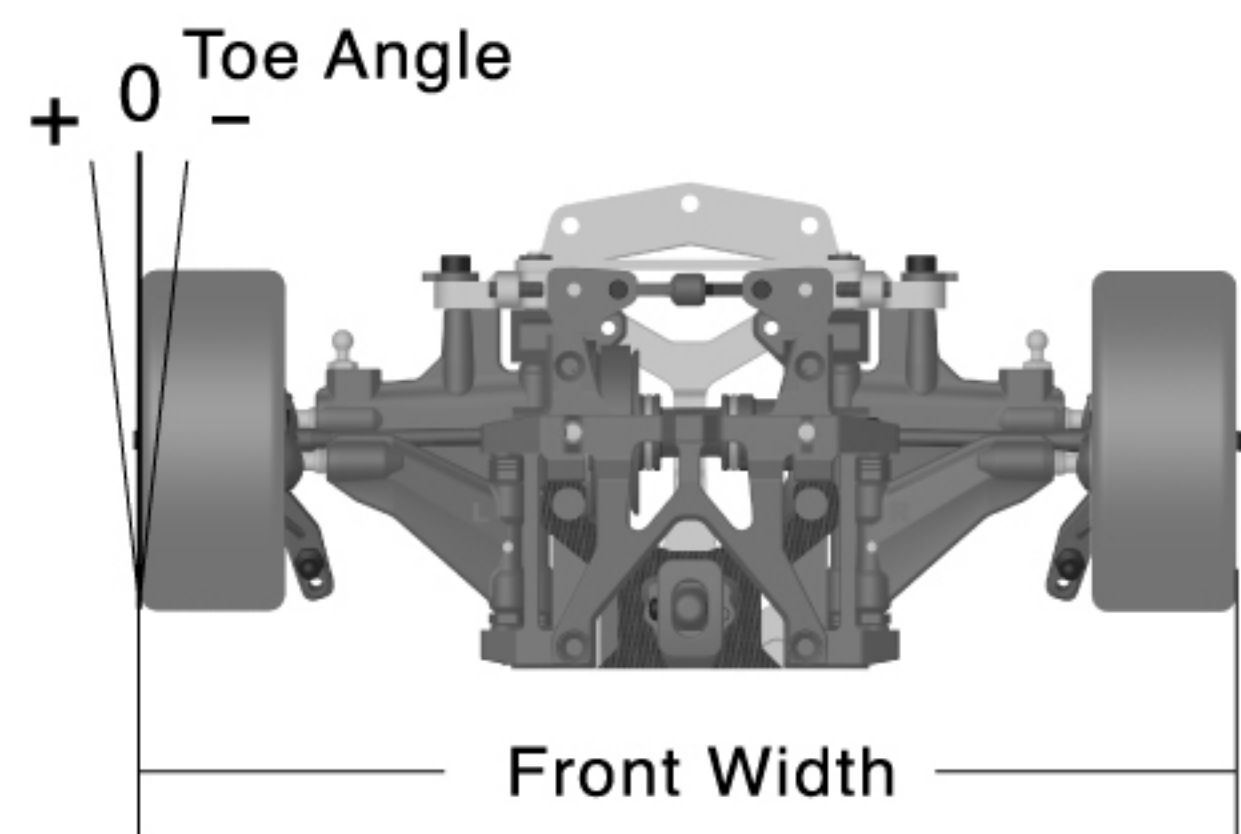
TRACK CONDITIONS

Surface: Smooth Med. Bumpy
 Size: Open Med. Tight
 Traction: High Med. Low

Track Temp/Air Temp: _____° / _____°

Note: _____

FRONT SUSPENSION



Front Width: _____ mm

Anti-Roll Bar: _____°

Diff. Fluid: _____ wt

One Way

Solid Axle

Toe Angle: _____°

Front Camber: **L** _____° **R** _____°

Front Ride Height: _____ mm

Front Droop: _____ mm

Caster: _____ mm

► SHOCK

Shock Length: _____ mm

Thread Length: _____ mm

Oil: _____ wt

Piston: _____

Spring: _____ mm

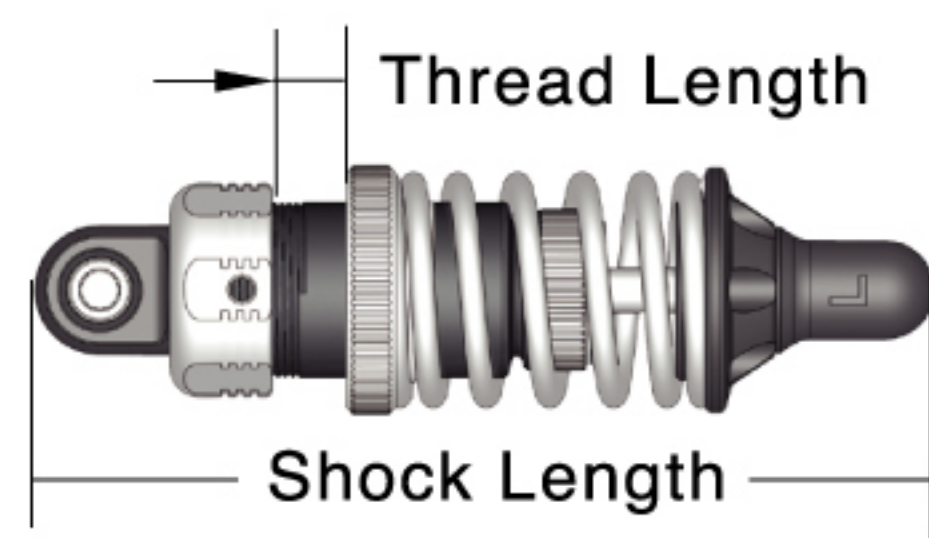
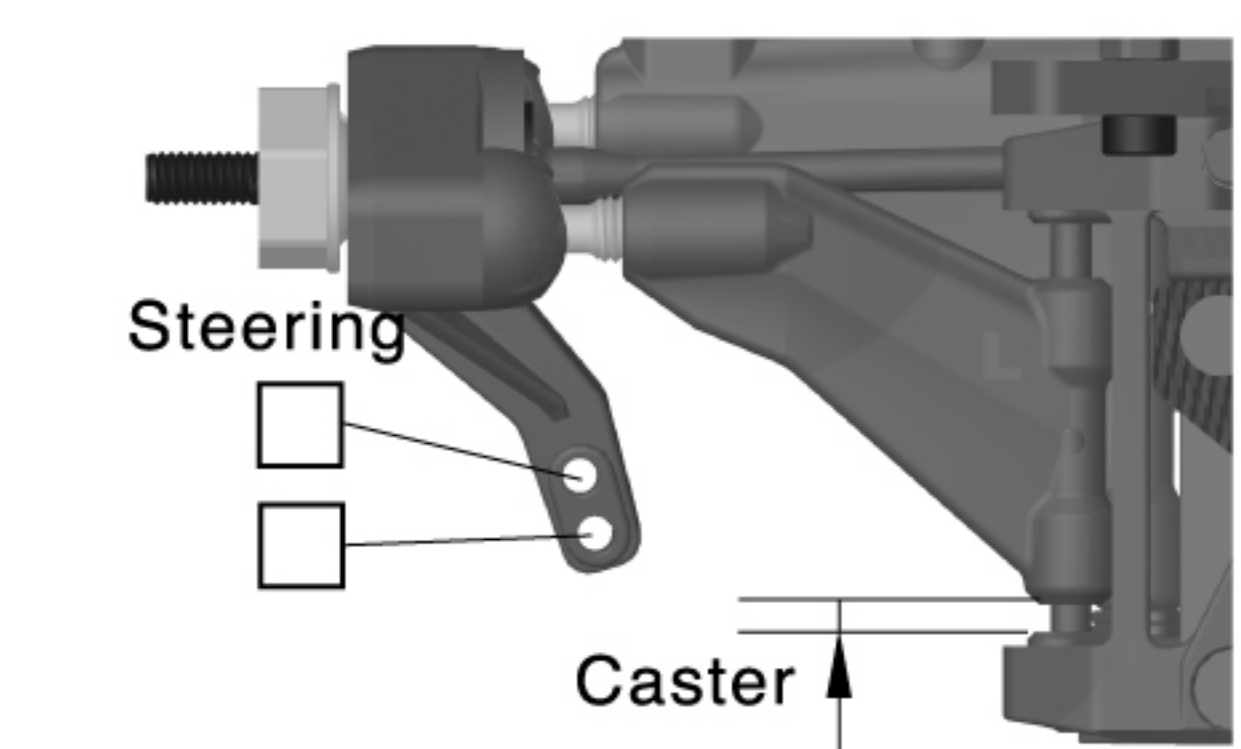
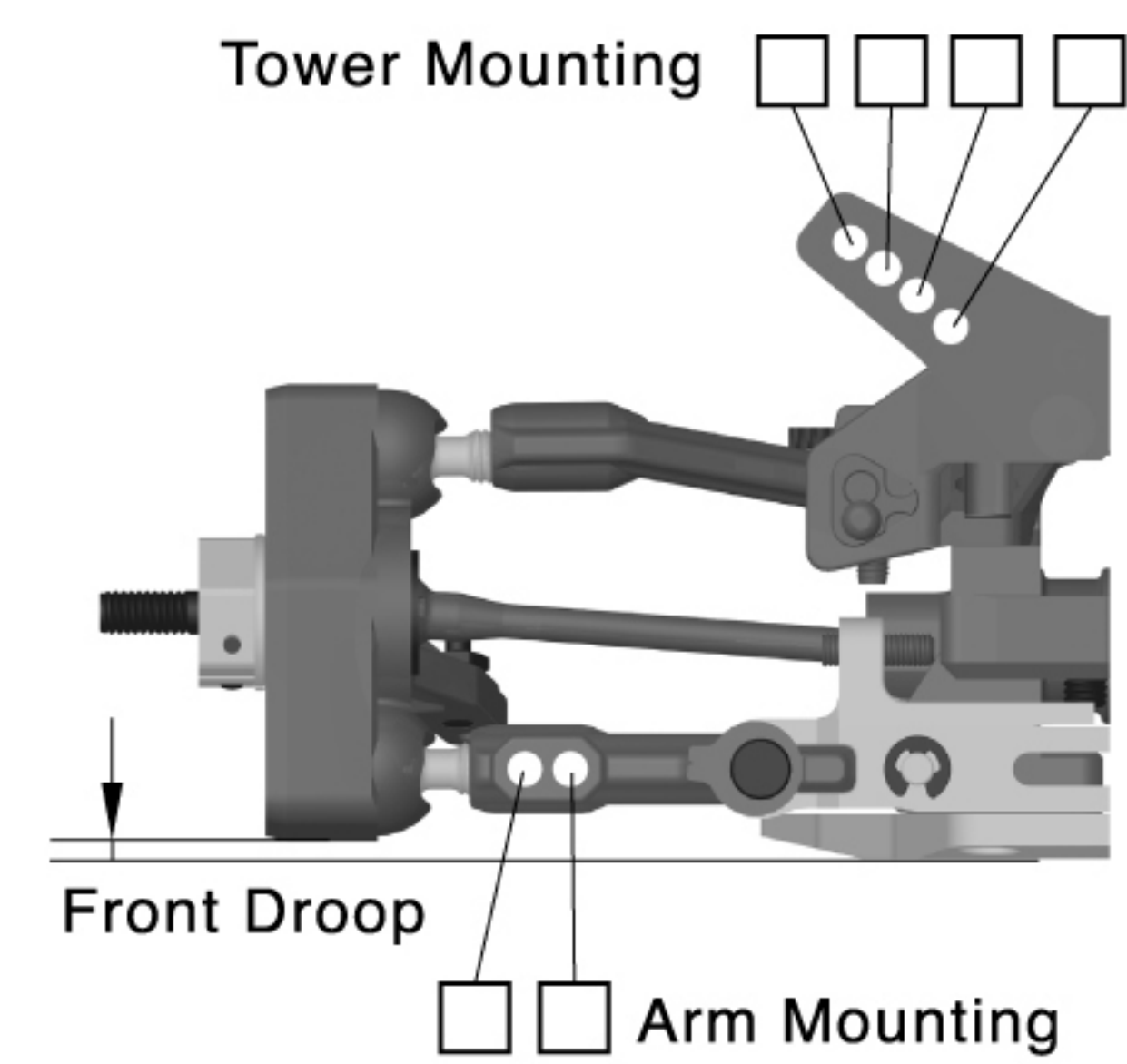
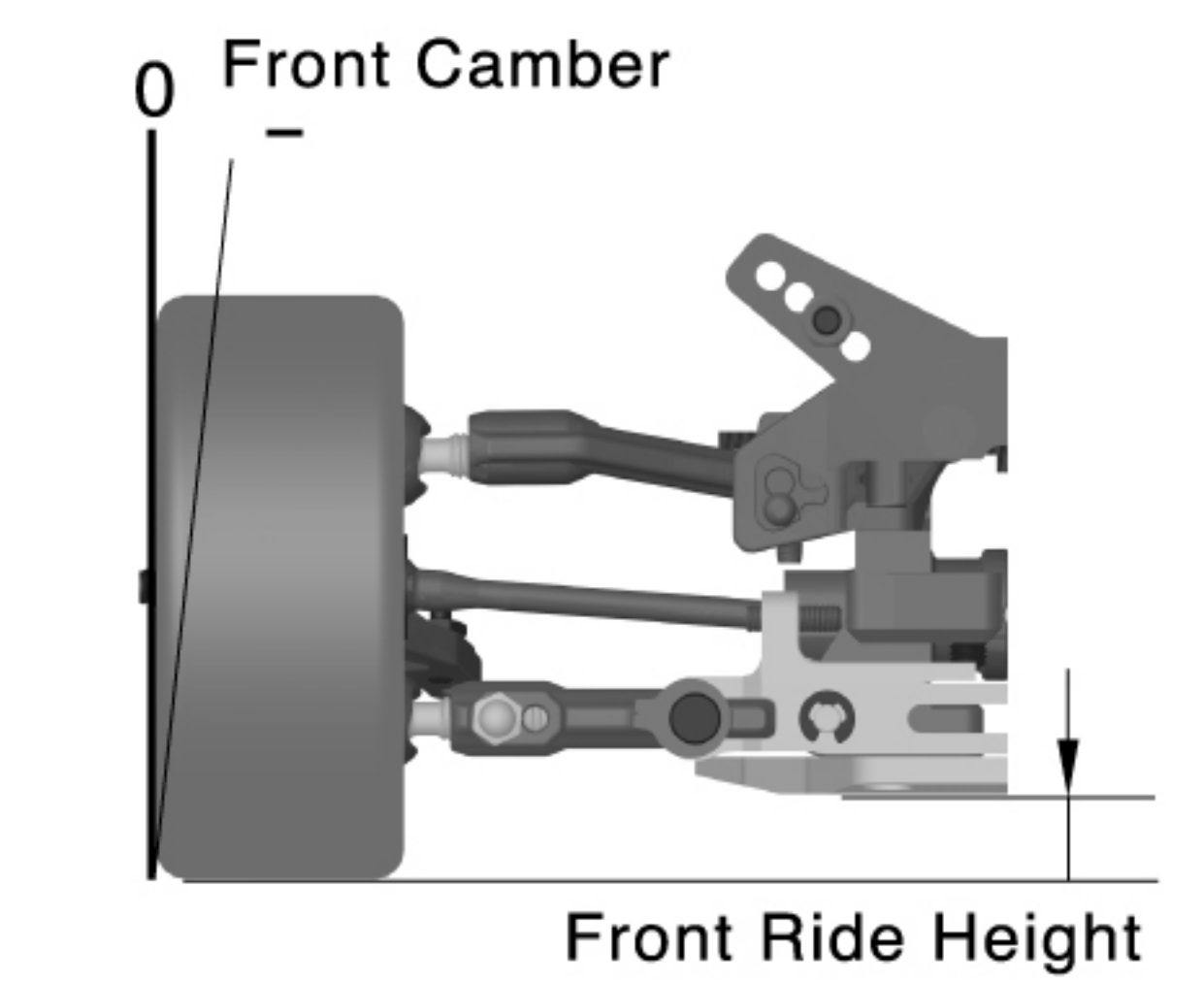
► TIRE

Front Tire: _____

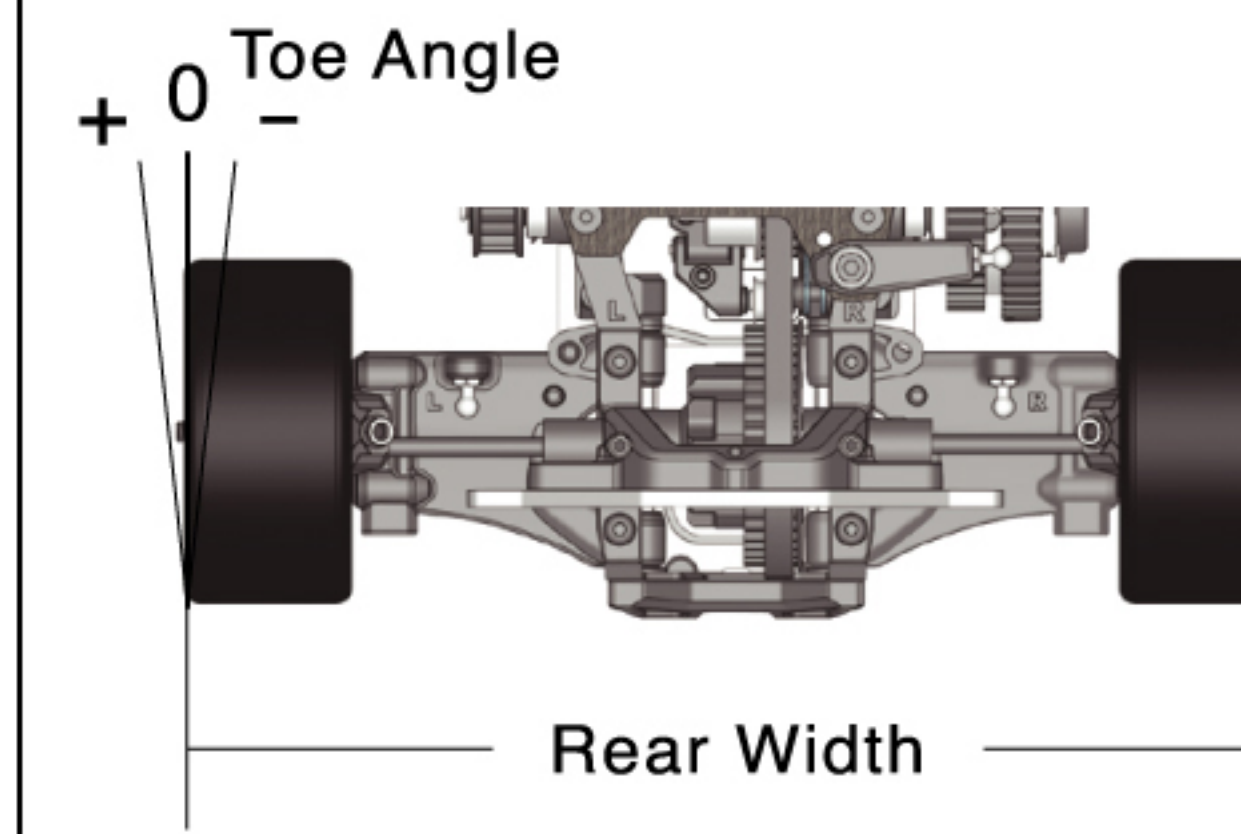
Shore: **L** _____° **R** _____°

Diameter(Start): **L/R** _____ / _____ mm

Diameter(Finish): **L/R** _____ / _____ mm



REAR SUSPENSION



Rear Width: _____ mm

Anti-Roll Bar: _____°

Diff. Fluid: _____ wt

Solid Axle

Toe Angle: _____°

Rear Camber: **L** _____° **R** _____°

Rear Ride Height: _____ mm

Rear Droop: _____ mm

► SHOCK

Shock Length: _____ mm

Thread Length: _____ mm

Oil: _____ wt

Piston: _____

Spring: _____ mm

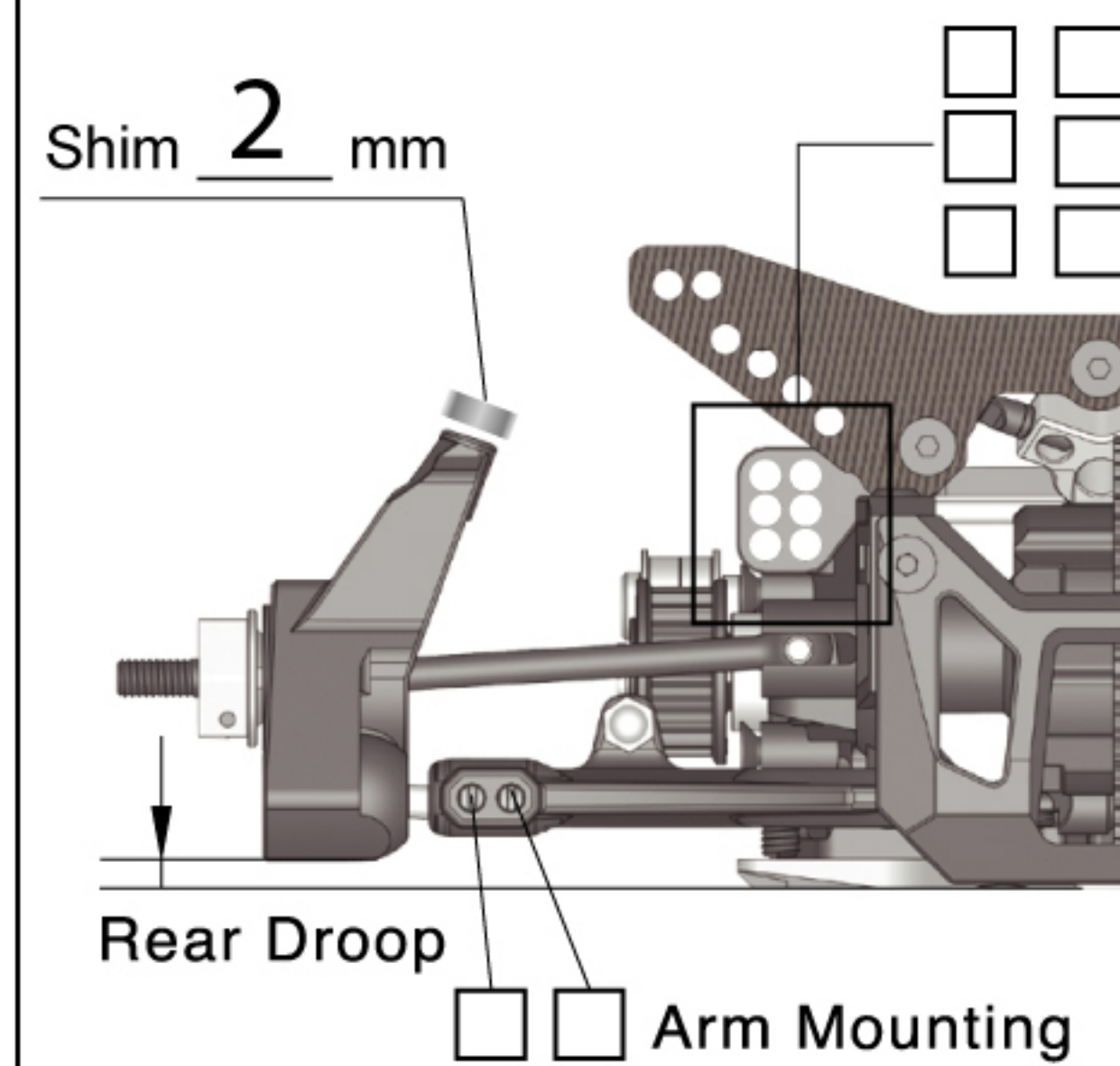
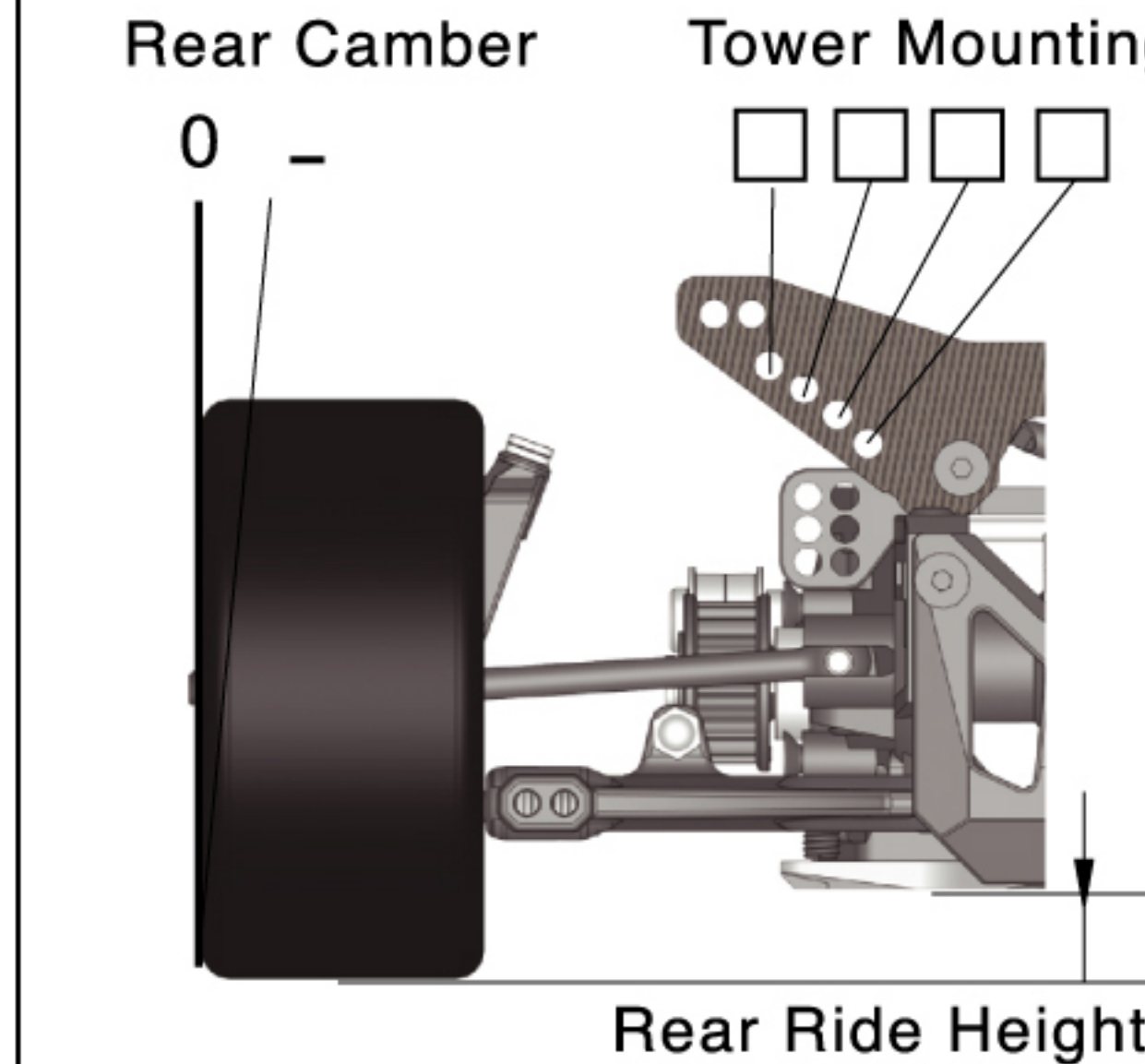
► TIRE

Front Tire: _____

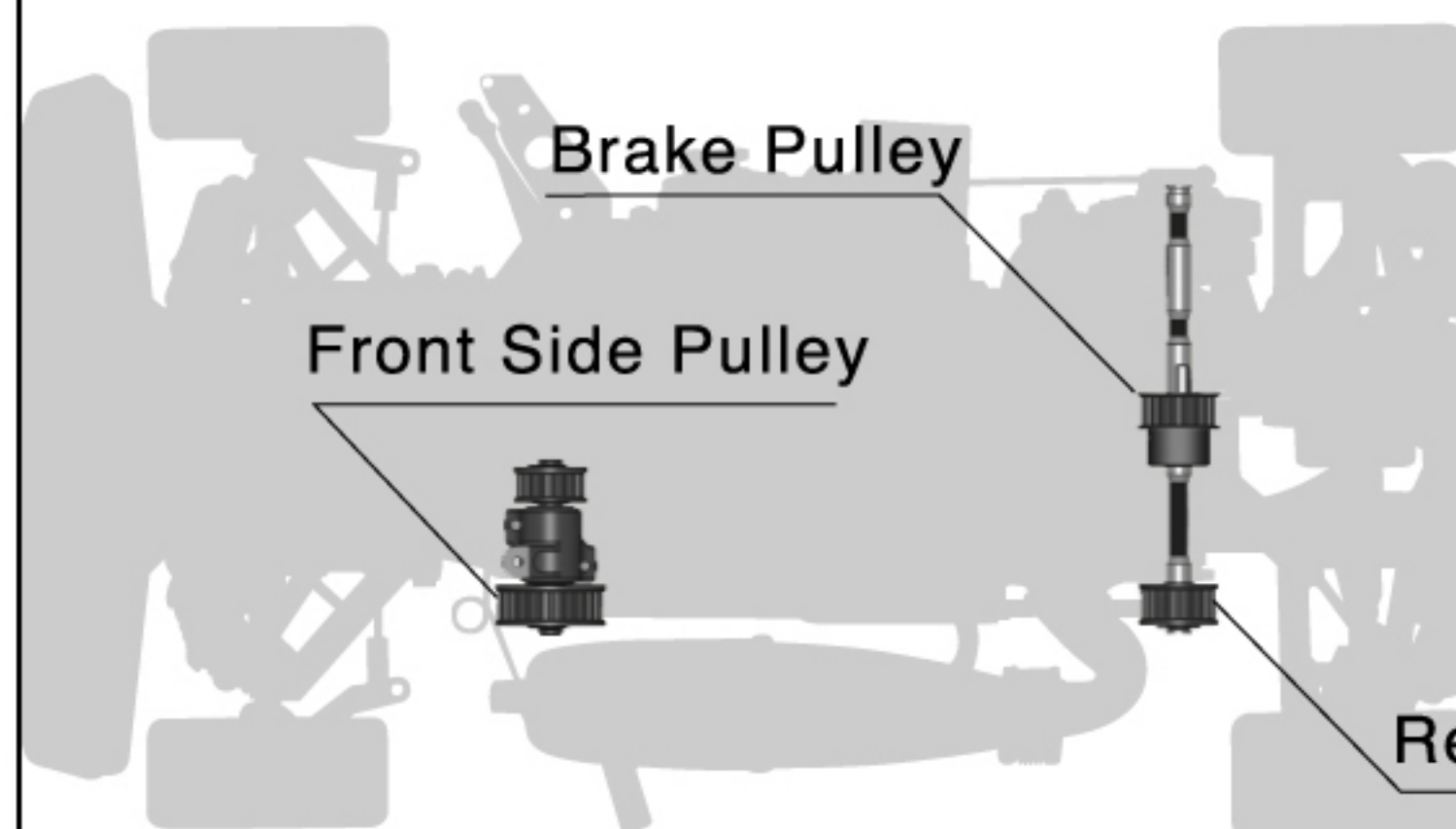
Shore: **L** _____° **R** _____°

Diameter(Start): **L/R** _____ / _____ mm

Diameter(Finish): **L/R** _____ / _____ mm



PULLEY

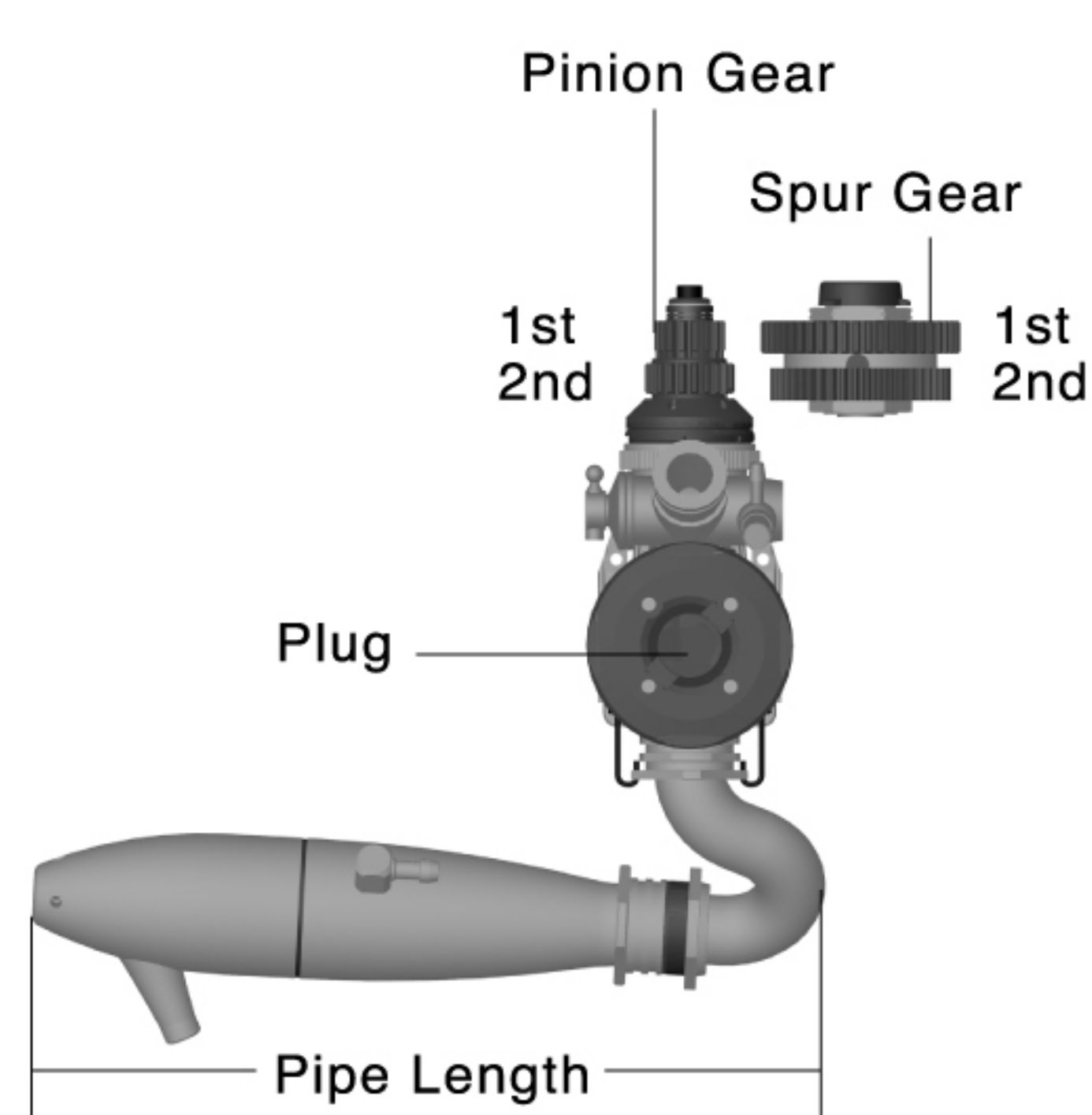


Front Side Pulley: _____ T

Rear Side Pulley: _____ T

Brake Pulley: _____ T

ENGINE



Gear Ratio: 1st _____ T / _____ T

2nd _____ T / _____ T

Clutch Set Type:

3 Shoe Push Type

Clutch Spring: _____ mm

Clutch weight: _____

Clutch Shoe: _____

Engine: _____

Plug: _____

Fuel: _____

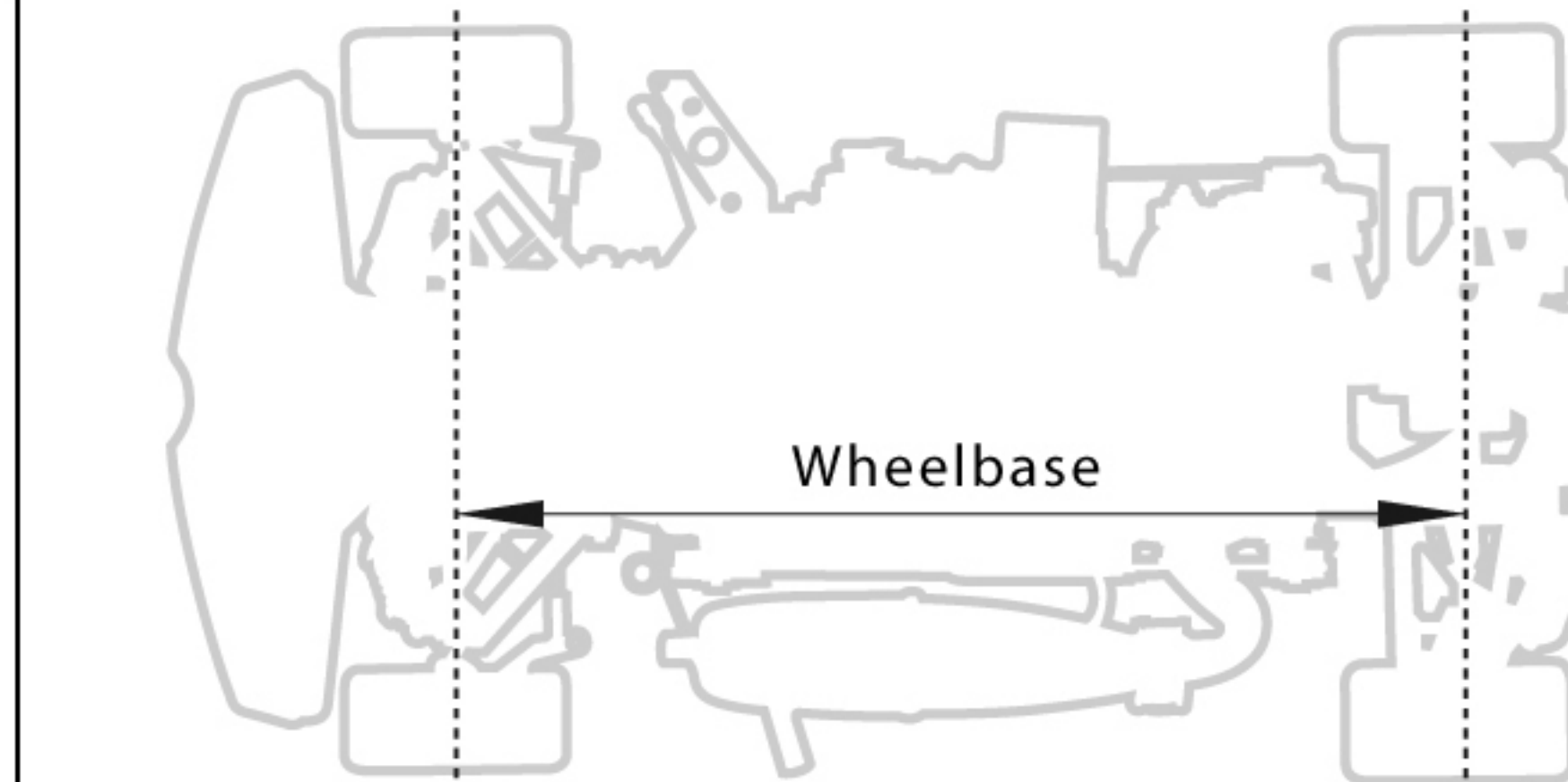
Manifold: _____

Pipe: _____

Pipe Length: _____ mm

Note: _____

WHEELBASE



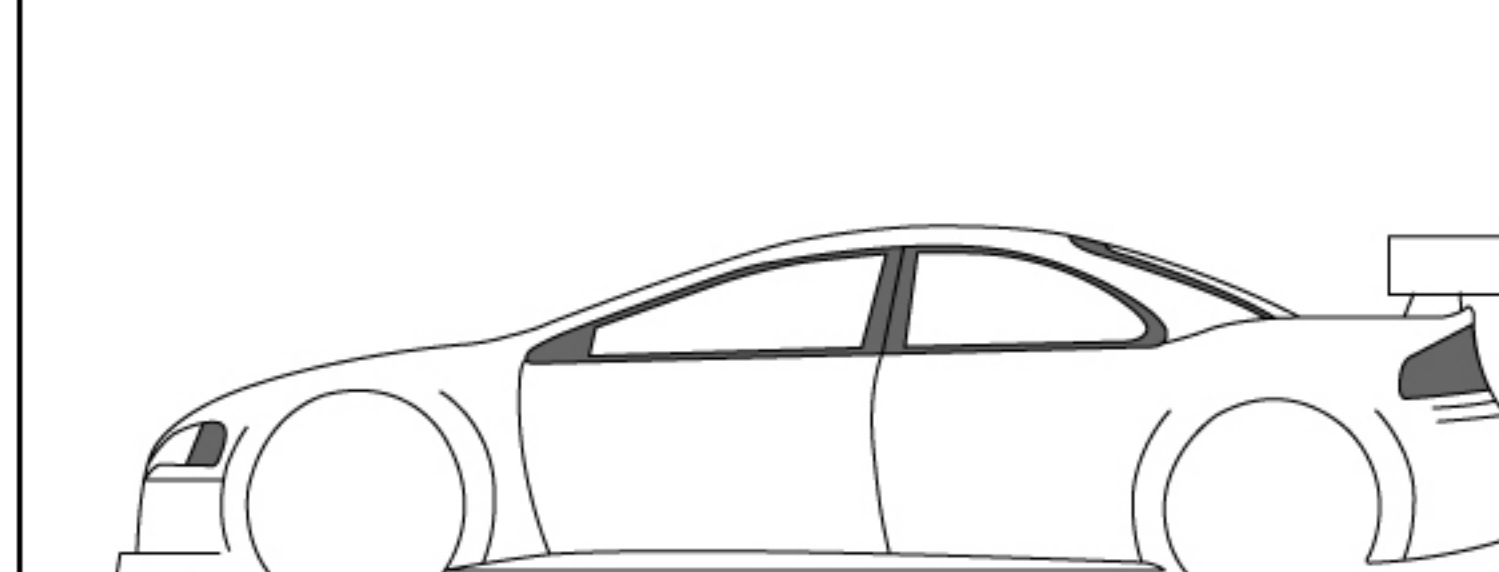
257 mm

258 mm

259 mm

260 mm

BODY



Body: _____

Radio: _____

ST. Servo: _____

TH. Servo: _____



Date: _____ Driver: _____
 Event: _____ Car: _____
 Track: _____ Weight: _____

SETUP SHEET

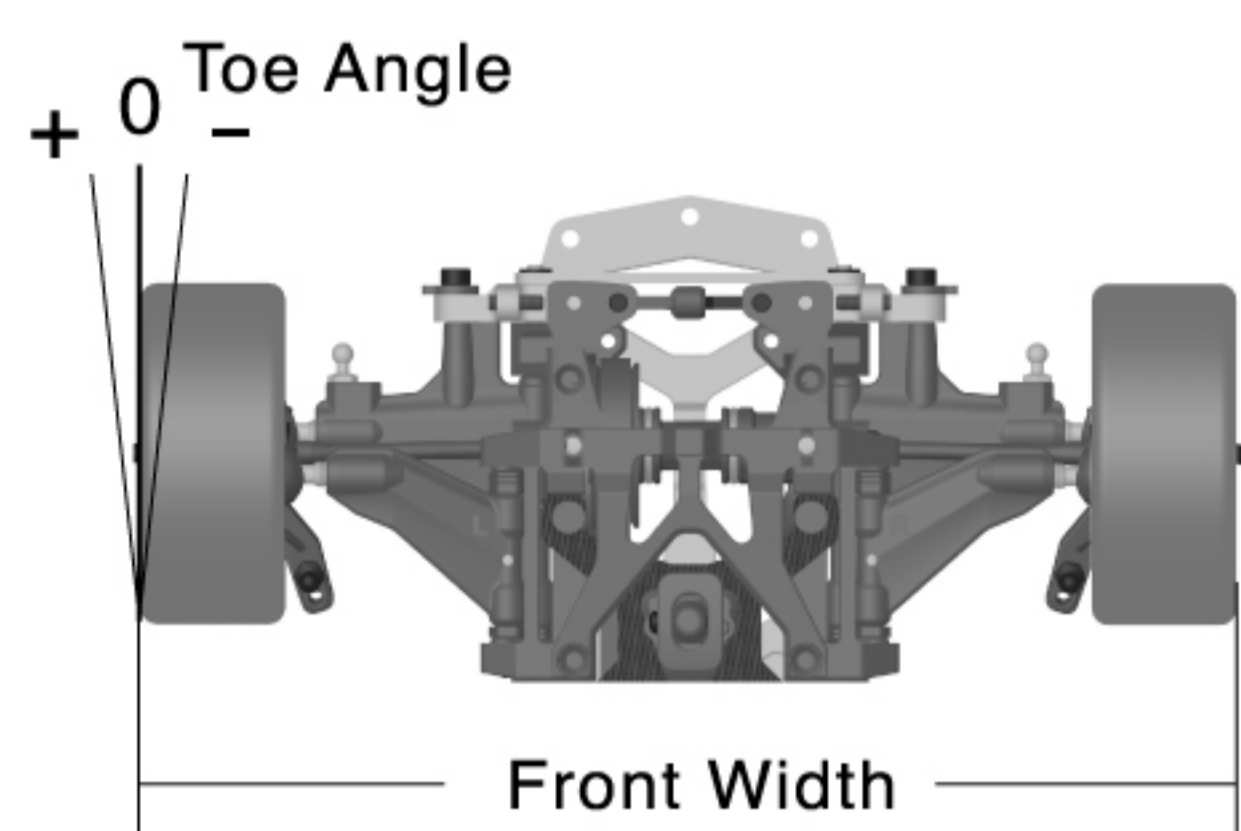


TRACK CONDITIONS

Surface: Smooth Med. Bumpy
 Size: Open Med. Tight
 Traction: High Med. Low

Track Temp/Air Temp: _____° / _____°
 Note: _____

FRONT SUSPENSION



Front Width: 199 mm

Anti-Roll Bar: 90 °

Diff. Fluid: 3000 wt
 One Way
 Solid Axle

Toe Angle: +1 °

Front Camber: L -2° R -2°

Front Ride Height: 5 mm

Front Droop: 2 mm

Caster: 2 mm

► SHOCK

Shock Length: 62.5 mm

Thread Length: 2.8 mm

Oil: #60 wt

Piston: standard

Spring: 1.7 mm

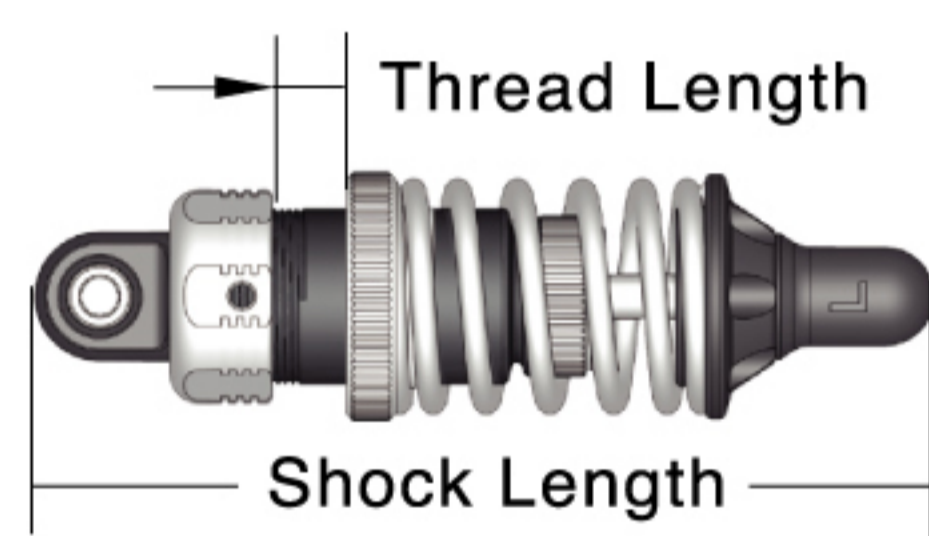
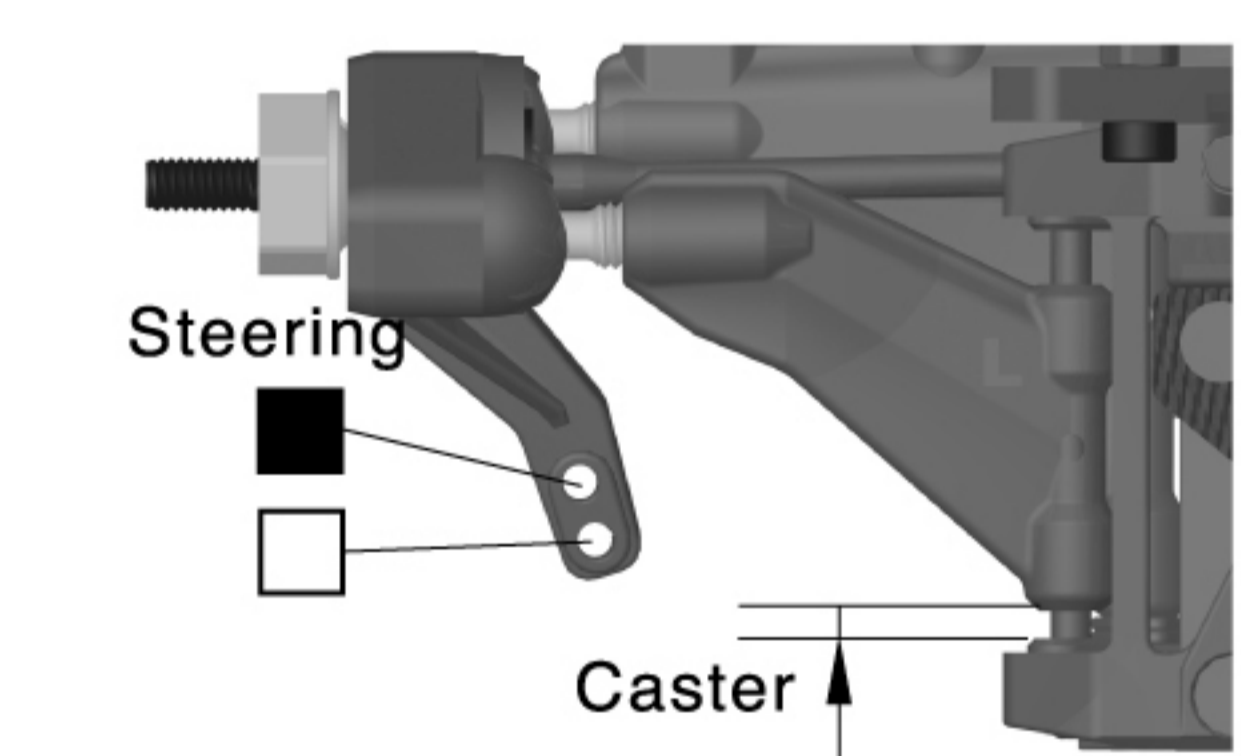
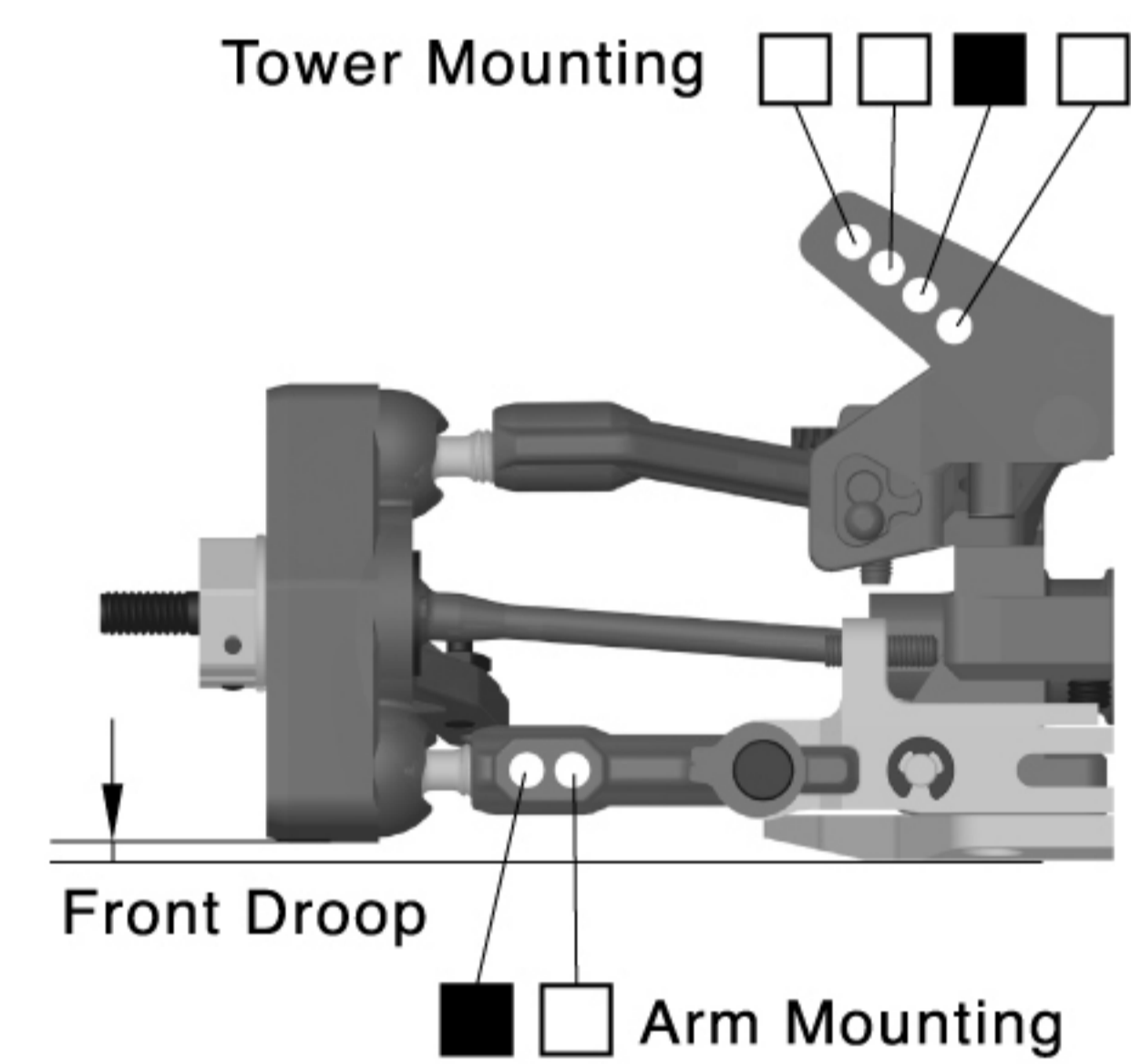
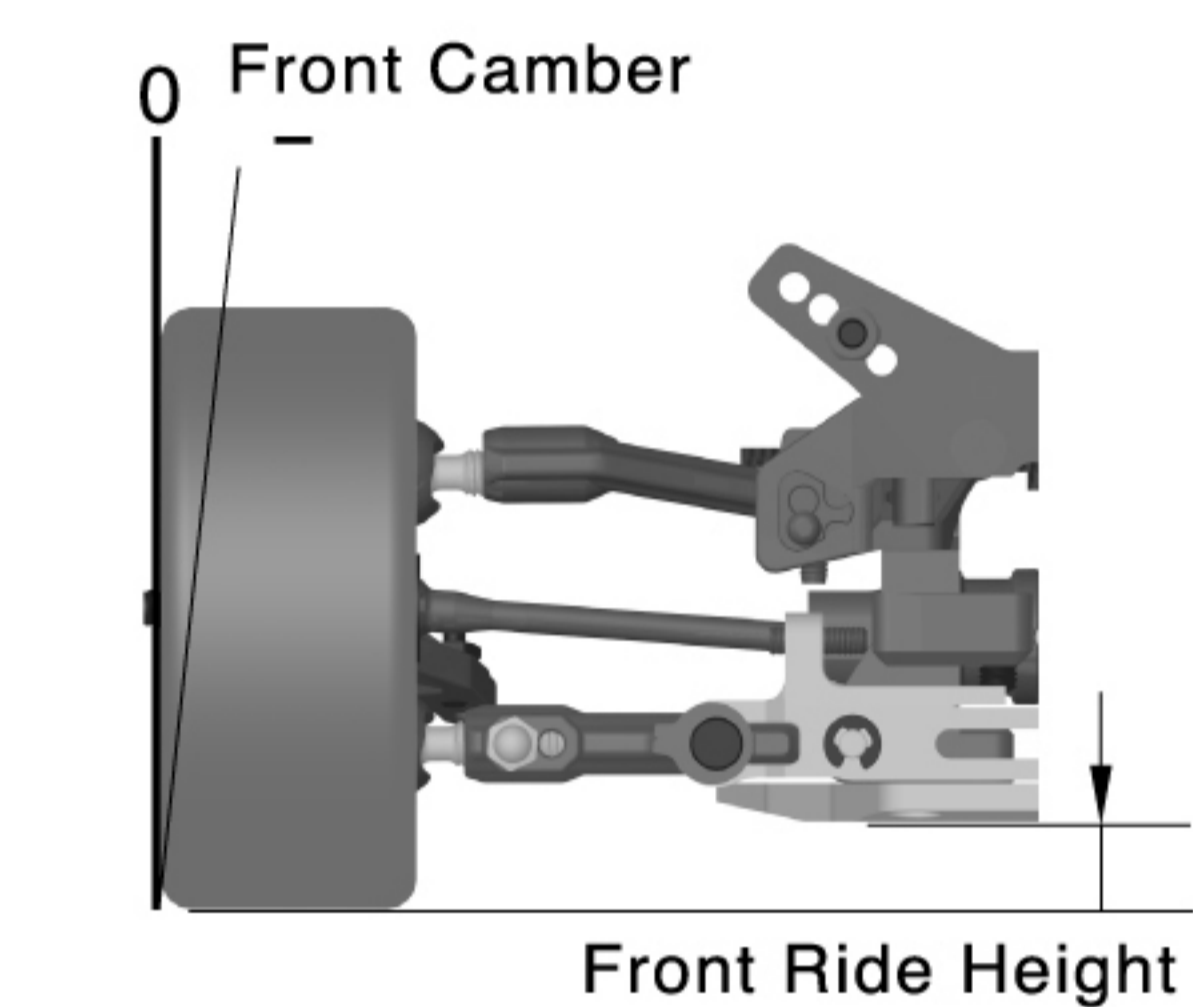
► TIRE

Front Tire: _____

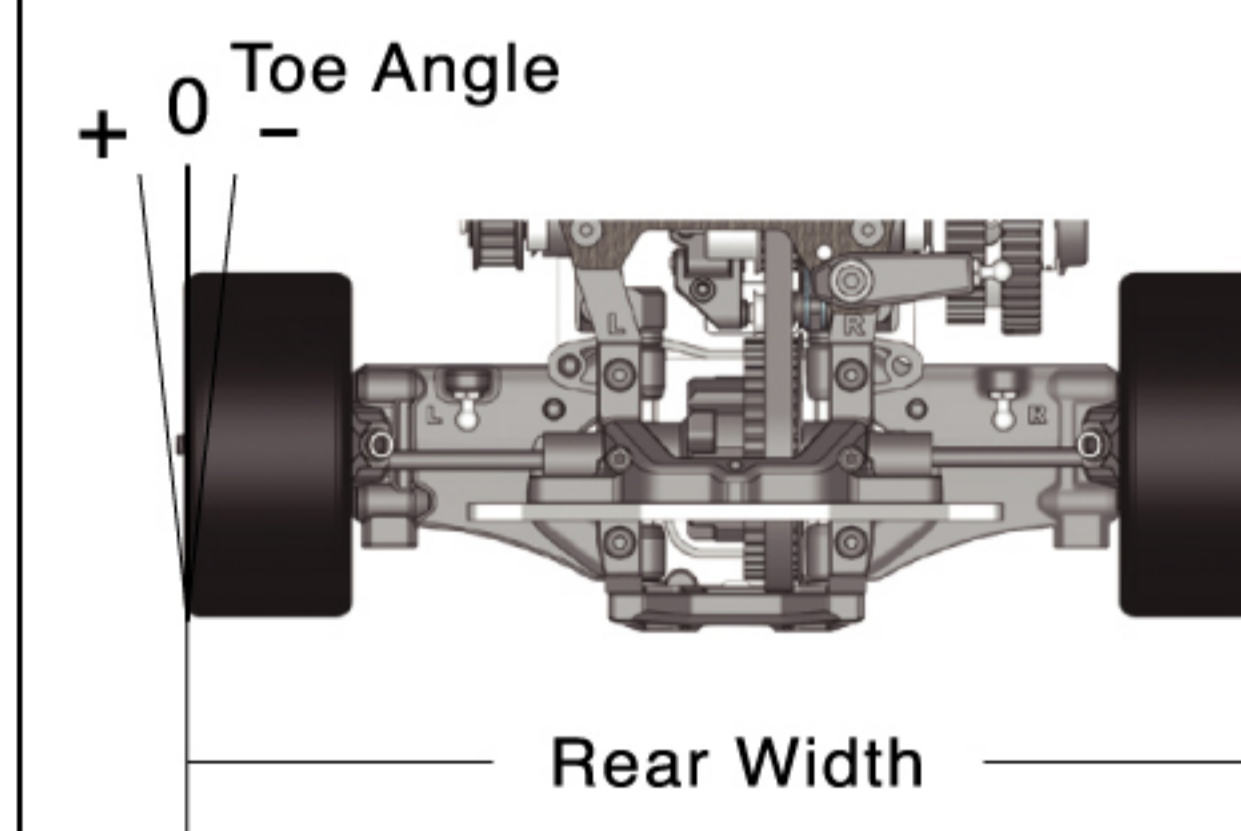
Shore: L 40° R 40°

Diameter(Start): L/R 62/62 mm

Diameter(Finish): L/R ___ / ___ mm



REAR SUSPENSION



Rear Width: 200 mm

Anti-Roll Bar: 0 °

Diff. Fluid: #10000 wt
 Solid Axle

Toe Angle: -2.5 °

Rear Camber: L -4° R -4°

Rear Ride Height: 5.5 mm

Rear Droop: 3 mm

► SHOCK

Shock Length: 60 mm

Thread Length: 1.5 mm

Oil: #60 wt

Piston: standard

Spring: 1.7 mm

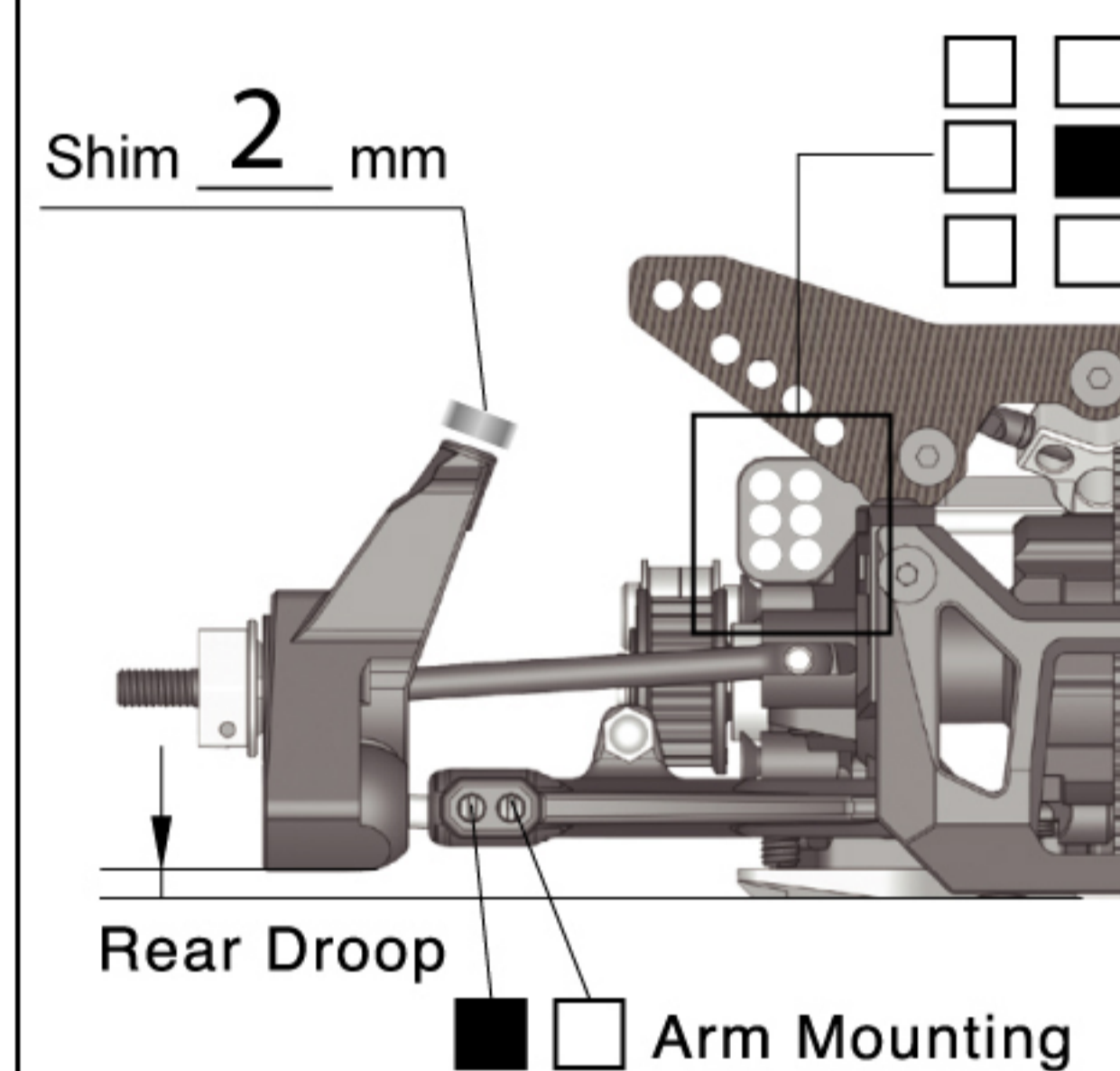
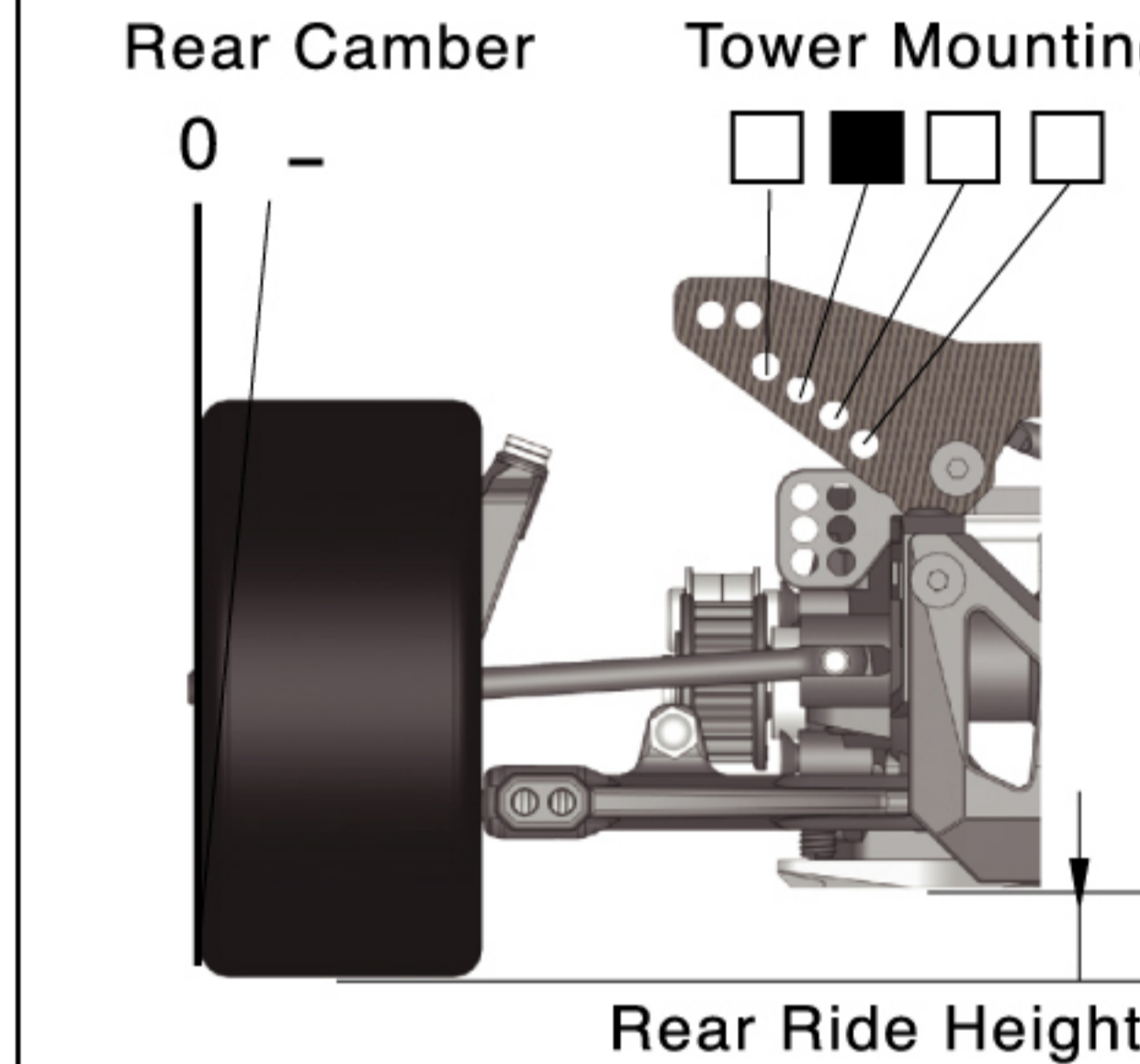
► TIRE

Front Tire: _____

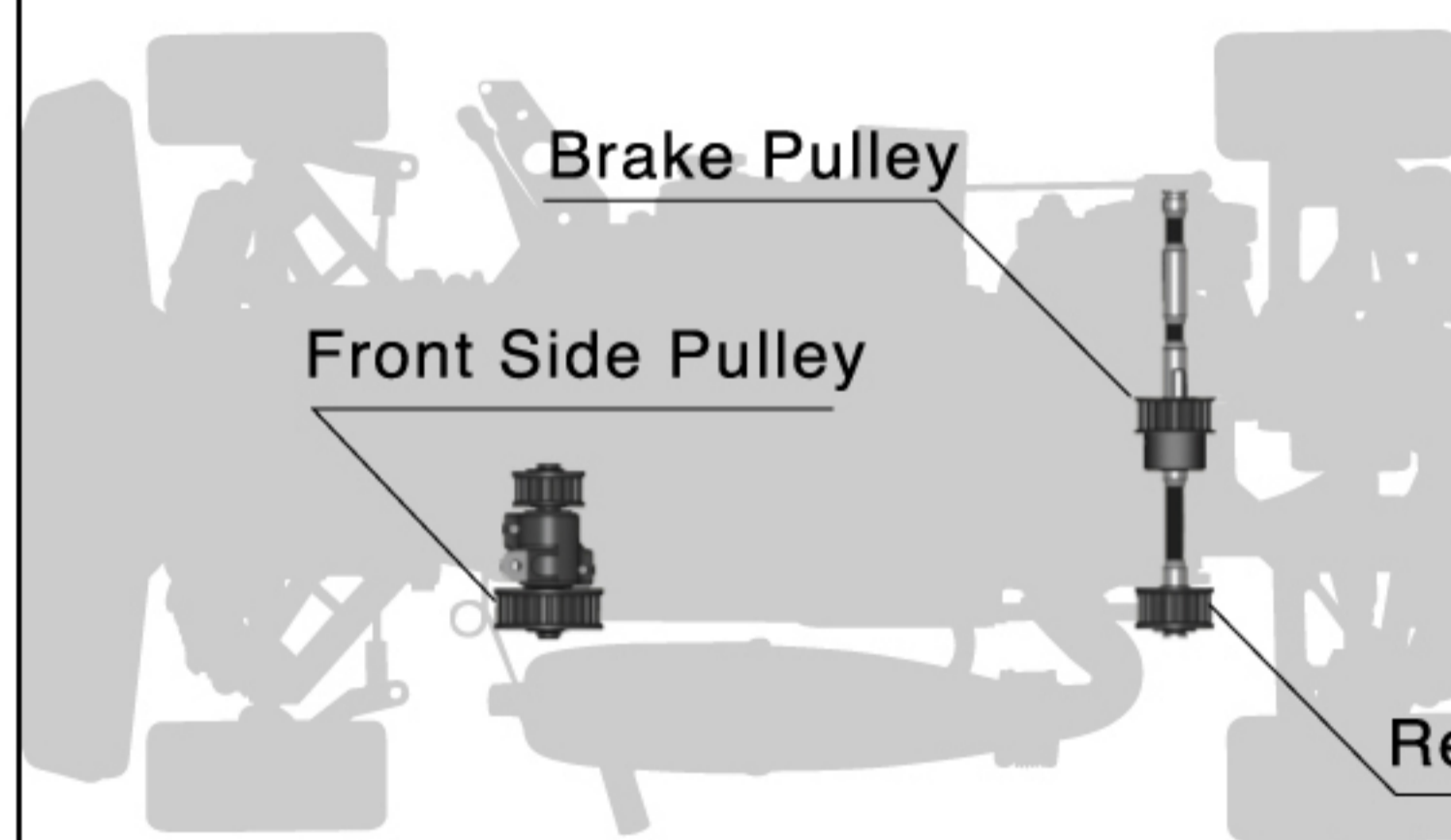
Shore: L 40° R 40°

Diameter(Start): L/R 63/63 mm

Diameter(Finish): L/R ___ / ___ mm



PULLEY

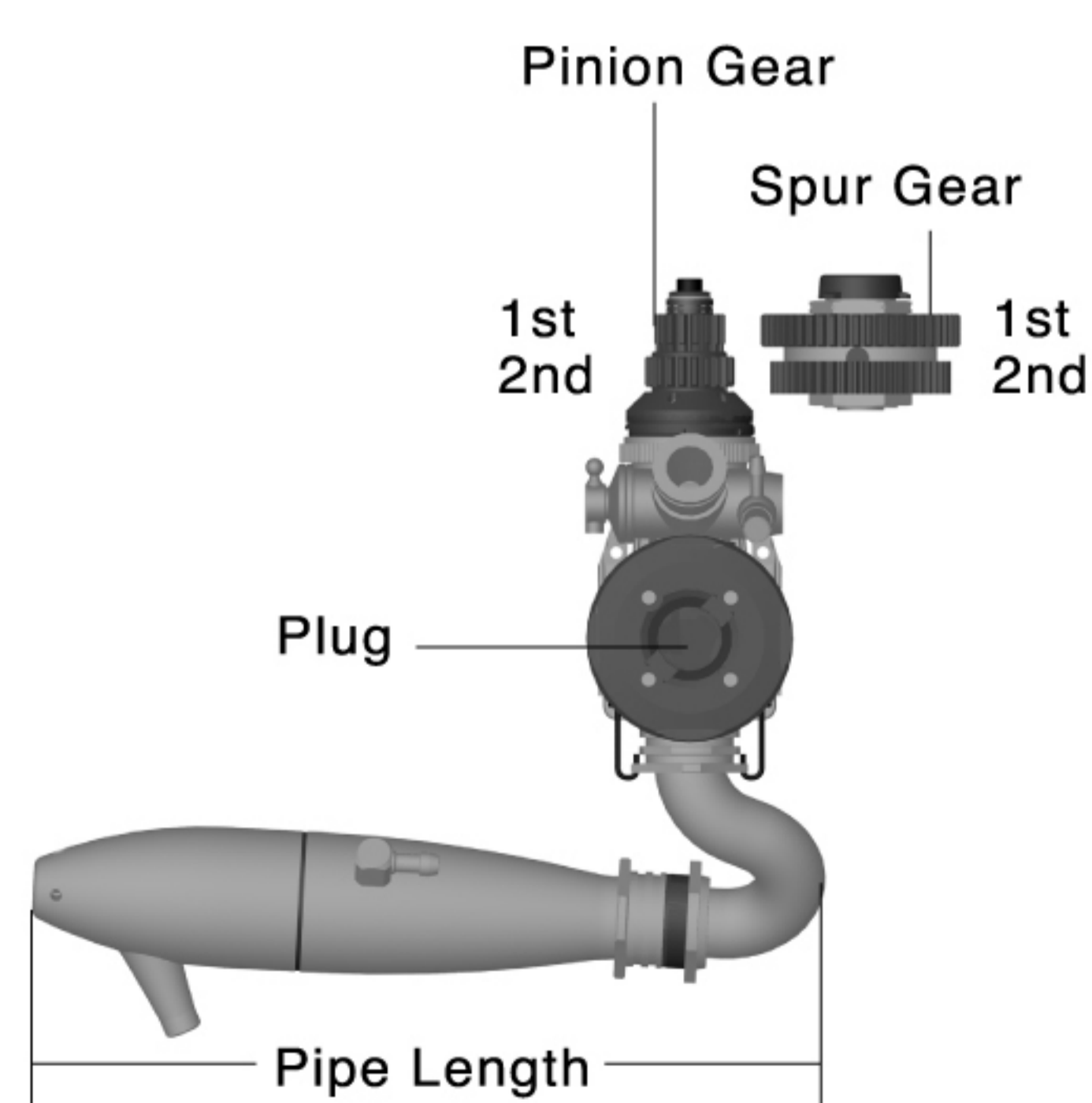


Front Side Pulley: 27 T

Rear Side Pulley: 19 T

Brake Pulley: 21 T

ENGINE



Gear Ratio: 1st 16T / 51T

2nd 21T / 46T

Clutch Set Type:

3 Shoe Push Type

Clutch Spring: 1.8 mm

Clutch weight: standard

Clutch Shoe: standard

Engine: Novarossi 12 L5

Plug: _____

Fuel: _____

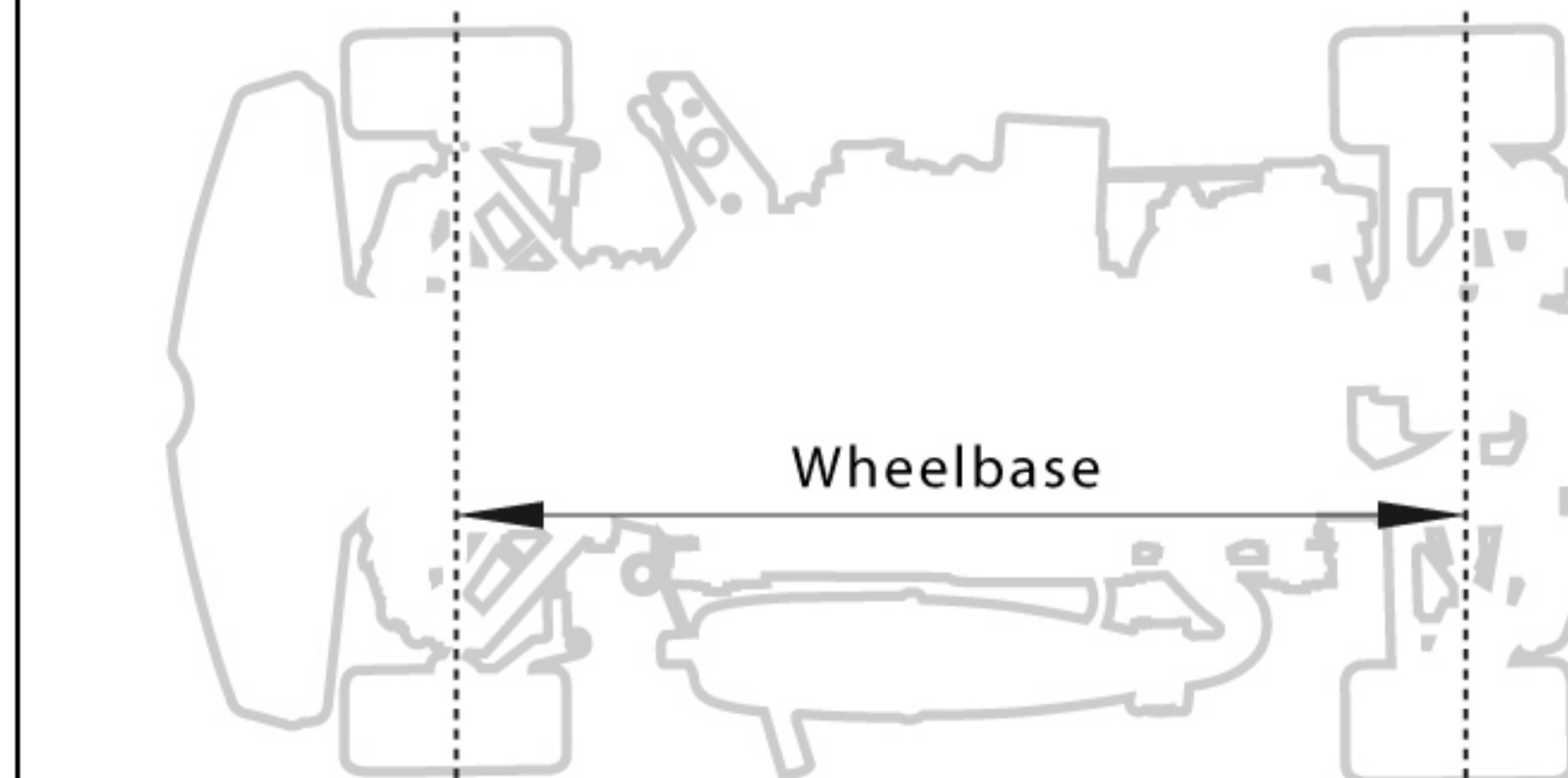
Manifold: K Factory K6001

Pipe: K Factory K6001

Pipe Length: _____ mm

Note: _____

WHEELBASE



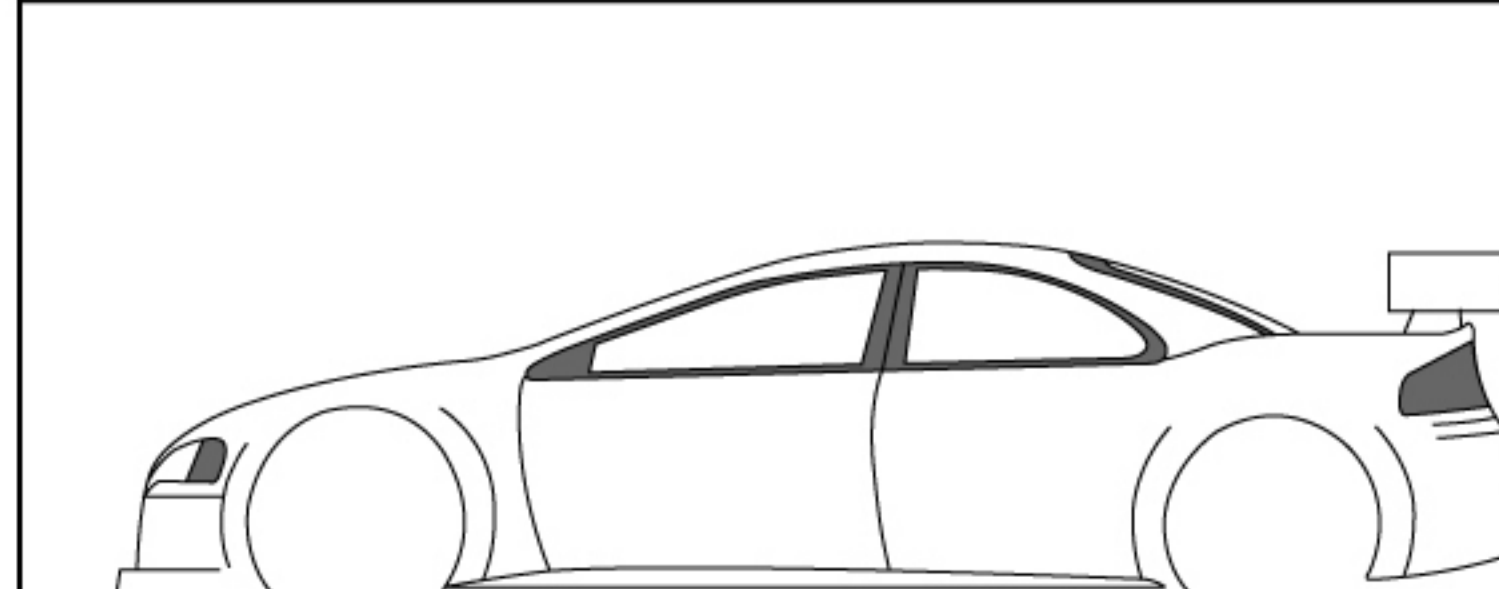
257 mm

258 mm

259 mm

260 mm

BODY



Body: _____

Radio: _____

ST. Servo: _____

TH. Servo: _____